

OSCULATI



U.S. 
time

WHAT WILL YOU FIND IN THIS CATALOGUE?

Pag. 7-17



Deck showers

Pag. 18-20



Deck water outlets

Pag. 21-23



Faucets

Pag. 24-27



Bow rollers

Pag. 28-30



Navigation lights

Pag. 31-36



Latches

Pag. 37-39



Cleats

Pag. 40-41



Sun-shade system

Pag. 42



Profiles

Pag. 43-47



Ladders

Pag. 48-49



Plastic hatches

Pag. 50-52



Deck fillers

...AND MUCH MORE!

WHO IS OSCULATI?

Osculati is the leading company in Italy and Europe for nautical accessories, since 1958 a reference point for professionals and pleasure boaters.

Osculati is a family company, with the third generation, Alberto, Giorgio and Claudia Osculati proudly supporting the Chairman Mario Osculati in the management of the company.

The company actively supplies a customer base spread in 100 countries in 5 continents, and is safe and reliable partner of all the main shipyards in Europe and worldwide.

Osculati is an AEO-F certified company (Authorized Economic Operator): the certification, which is comparable to the **C-TPAT** in USA, attests the reliability of the international supply chain management and allows **simplified and faster customs controls**.

OUR NUMBERS:

- The largest availability of accessories in Europe
- 42.000.000 € value of goods in our stock
- 96% goods availability
- In-house product design
- 7.000 Osculati trademark products
- Over 65.000 annual product quality tests
- 600 orders processed every day
- 17,5 tons of goods delivered every day
- Goods shipped regularly to 100 countries
- 22.000 products on our Master Catalogue
- 166 direct employees
- 1.000 new entries in our catalogue every year
- 21.000 mq overall storage area
- 6.000 dealers worldwide
- Over 1100 catalog pages



DESIGN & ENGINEERING

The product development process often starts thanks to the innovative addition that has always characterized the Osculati family and the Chairman Mario Osculati in particular.

Inputs and suggestions from our customers trigger a process of constant development to create new solutions that fully meet any requirements.

Over 7000 articles developed by the company's Design & Engineering department where a team of engineers and designers is dedicated to the in-house development of CAD models and the implementation of prototypes and samples by means of 3D printers.

3D AVAILABLE ON EVERY PRODUCT



CUSTOM PRODUCTS

Thanks to our new laser printer the items on our catalogue can be tailored by engraving logo and name.

On demand we also make products that meet specific needs in order to develop the best solutions as for design and efficiency:

- Stainless steel items designed ex-novo by the specific needs of the customer.
- Plastic tanks (for freshwater, black water, diesel and petrol) tailored to the boat spaces.
 - Hatches in the desired RAL colours.

We also take care of the type testing procedures and the documents needed.



IN-HOUSE PRODUCTION

An in-house production, assembly and packaging department where by 30 specialised workers produce lights, ladders, gangways, battery switches and many other products.

This allows us the highest production process control by an ongoing monitoring of all production steps, production time reduction and flexibility to meet our customers' requirements.

Moreover thanks to a short supply chain we can be more competitive on the market.



QUALITY CONTROL

Our Integrated Quality Management Team consists of 6 internal inspectors who daily put products through different levels of quality tests according to their market category.

Our salt spray chamber and UV-chamber test both accelerated ageing due to tough marine environment and damage caused by sunlight.

Our in-house lab also tests all new products before they are placed on the market in order to offer increasingly higher quality standards.

We work with the best-known labs and institutions to perform accurate IP water-resistance tests, electrical tests as well as breaking loads tests.

- Over 65,000 annual tests
- 50 product certifications every year.
- Over 5,000 hours of salt spray chamber tests per year
- Over 1,000 hours of UV-chamber tests per year



LOGISTICS

Our marine equipment warehouse is the largest in Europe and one of the best-stocked worldwide offering over 22,000 items and goods availability exceeding 96%.

21,000 square metres, 42.5-million Euros worth goods in our depots, 17.5 tons of marine equipment shipped every day: these are the figures of Osculati's logistics.

We pursue innovation and technological upgrading. As of January 2022, a new semi-automated area has been implemented where over 40% of the orders in progress will be dealt with aimed at offering our customers an increasingly faster and better service.

This flood of items is managed by 75 qualified warehouse staff who work every day to offer the best standards in terms of efficiency, speed and safety during the preparation and shipment of goods to customers.

70% of the orders coming from the European Union is shipped on the same day while the remaining 25% is shipped the day after their reception.



RETAIL RANGE

Osculati offers a wide range of products whose packaging is tailored to the end user's needs. Each single detail is designed to be instantly recognizable and enhance the shop image and the product features.

Packaging

Packaging is one of the smartest media and makes a product immediately recognizable on the shelf: the user will better appreciate its features and this is why most of OSCULATI-brand products come in a high-quality item-oriented packaging.

Every OSCULATI package shows the pictures of the product, its technical data in several languages, its item code and bar code. A colour band stands for the category the product belongs to for a fast identification on the items on display.



SUSTAINABILITY

Osculati has always worked alongside organisations and associations committed to achieving the 2030 Agenda goals, both through its financial contributions and by providing its expertise.

Project for People



BARCO HOSPITAL SAN RAFFAELE
FUNDACION ITALOCOLOMBIANA DEL MONTE TABOR

Osculati has chosen to offset emissions from its transport vehicles by adhering to the Blue Valley project. By means of the project, Osculati has offset 83 tonnes of CO₂ emissions in 2022.

Blue Valley
bio fish & carbon credits



Scan to discover!



For more than ten years Osculati has been using exclusively 100% carbon offset renewable energy, while its logistics warehouse is powered by a geothermal and solar energy system.

**No more chills,
just chill out.**



Saturn series with built-in mixer

Rotable head with temperature control and on-off button

Saturn shower with hot/cold water built-in mixer

REGISTERED DESIGN

HOT & COLD

Shower with built-in mixer. Flat hidden design. Horizontal or vertical mounting.
Shower housing fitted with anti-vibration washer.

Hot and cold water can be **adjusted** by rotating the shower body while the flow is adjusted by touching a push lock button that blocks the water jet and prevents waste.
The built-in mixer precisely adjusts the temperature and store data between uses.]

Code	Montage	Colour	Min. inner space mm	Flange-Ø mm	hose m	Carbon shower rod OPTIONAL
15.470.01	Horizontal	Chromed grey + white base	230	84	4	15.480.29
15.470.02	Horizontal	Chromed grey + chromed base	230	84	4	15.480.29
15.470.11	Vertical	Chromed grey + white base	160	120	4	15.480.29
15.470.12	Vertical	Chromed grey + chromed base	160	120	4	15.480.29



Deck showers

New Saturn cold-water shower

REGISTERED DESIGN

ONLY COLD

Flat hidden design. Horizontal or vertical mounting.
Shower housing fitted with anti-vibration washer.
The flow is adjusted by touching a push lock button that blocks the water jet and prevents waste.

Code	Montage	Colour	Min. inner space mm	Flange-Ø mm	hose m	Carbon shower rod OPTIONAL
15.471.01	Horizontal	Chromed grey + white base	230	84	4	15.480.29
15.471.02	Horizontal	Chromed grey + chromed base	230	84	4	15.480.29
15.471.11	Vertical	Chromed grey + white base	160	120	4	15.480.29
15.471.12	Vertical	Chromed grey + chromed base	160	120	4	15.480.29

Available from 2024.



Classic Evo & New Edge deck showers

Deck showers



Classic Evo deck shower with Tiger stainless steel shower head

Stainless steel shower head, UV-resistant ASA white housing.

White lid RETAIL (1pcs)	White lid BULK (10pcs)	SS lid RETAIL (1pcs)	mm		Hose	Hose m
			recess	outer dimensions		
15.163.00	15.163.00BU	15.163.70	Ø70x44	Ø95	Net PVC	2.5
15.163.01	15.163.01BU	15.163.71	Ø70x44	Ø95	Net PVC	4
15.163.30	15.163.30BU	15.163.80	Ø70x44	Ø95	SS	2.5
15.163.31	15.163.31BU	15.163.81	Ø70x44	Ø95	SS	4
15.163.60	15.163.60BU	15.163.90	Ø70x44	Ø95	White nylon	2.5
15.163.61	15.163.61BU	15.163.91	Ø70x44	Ø95	White nylon	4



15.290.55 Hose bag (option)

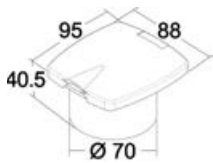


New Edge deck shower with Tiger stainless steel shower head

Stainless steel shower head, UV-resistant ASA white housing.

White lid RETAIL (1pcs)	White lid BULK (10pcs)	SS lid RETAIL (1pcs)	mm		Hose	Hose m
			recess	outer dimensions		
15.164.00	15.164.00BU	15.164.70	Ø70x40.5	88x95	Net PVC	2.5
15.164.01	15.164.01BU	15.164.71	Ø70x40.5	88x95	Net PVC	4
15.164.30	15.164.30BU	15.164.80	Ø70x40.5	88x95	SS	2.5
15.164.31	15.164.31BU	15.164.81	Ø70x40.5	88x95	SS	4
15.164.60	15.164.60BU	15.164.90	Ø70x40.5	88x95	White nylon	2.5
15.164.61	15.164.61BU	15.164.91	Ø70x40.5	88x95	White nylon	4

15.290.55 Hose bag (option)



▲ 15.164.00/01/60/61



▲ 15.164.70/71/80/81/90/91



▲ 15.164.00/01



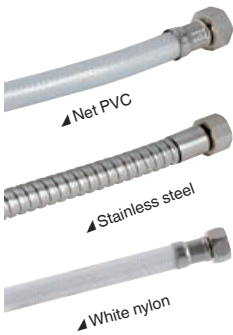
▲ 15.164.80/81

Classic Evo deck shower with Mizar push-button shower

Chromed brass shower head, UV-resistant ASA white housing.

White lid RETAIL (1pcs)	White lid BULK (10pcs)	Chromed lid RETAIL (1pcs)	Chromed lid BULK (10pcs)	SS lid RETAIL (1pcs)	mm		Hose	Hose m
					recess	outer dimensions		
15.250.00	15.250.00BU	15.250.06	15.250.06BU	15.250.70	Ø70x44	Ø95	Net PVC	2.5
15.250.01	15.250.01BU	15.250.07	15.250.07BU	15.250.71	Ø70x44	Ø95	Net PVC	4
-	-	15.150.06	15.150.06BU	15.250.80	Ø70x44	Ø95	SS	2.5
-	-	15.150.07	15.150.07BU	15.250.81	Ø70x44	Ø95	SS	4
15.250.60	15.250.60BU	-	-	15.250.90	Ø70x44	Ø95	White nylon	2.5
15.250.61	15.250.61BU	-	-	15.250.91	Ø70x44	Ø95	White nylon	4

15.290.55 Hose bag (option)



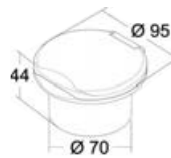
▲ 15.250.00/01/60/61



▲ 15.250.06/07; 15.150.06/07



▲ 15.250.70/71/80/81/90/91



▲ 15.250.00/01



▲ 15.150.06/07



▲ 15.250.70/71

New Edge deck shower with Mizar push-button shower

Chromed brass shower head, UV-resistant ASA white housing.

White lid RETAIL (1pcs)	White lid BULK (10pcs)	Chromed lid RETAIL (1pcs)	Chromed lid BULK (10pcs)	SS lid RETAIL (1pcs)	mm		Hose	Hose m
					recess	outer dimensions		
15.243.00	15.243.00BU	15.243.06	15.243.06BU	15.243.70	Ø70x40.5	88x95	Net PVC	2.5
15.243.01	15.243.01BU	15.243.07	15.243.07BU	15.243.71	Ø70x40.5	88x95	Net PVC	4
-	-	15.143.06	15.143.06BU	15.243.80	Ø70x40.5	88x95	SS	2.5
-	-	15.143.07	15.143.07BU	15.243.81	Ø70x40.5	88x95	SS	4
15.243.60	15.243.60BU	-	-	15.243.90	Ø70x40.5	88x95	White nylon	2.5
15.243.61	15.243.61BU	-	-	15.243.91	Ø70x40.5	88x95	White nylon	4

15.290.55 Hose bag (option)



▲ 15.243.00/01/60/61



▲ 15.243.06/07; 15.143.xx



▲ 15.243.70/71/80/81/90/91



▲ 15.243.00/01



▲ 15.243.06/07



▲ 15.243.70/71

New Edge deck shower with Boris shower head

Plastic shower head with chromed head, UV-resistant ASA housing.

white with white housing RETAIL (1pcs)	white with white housing BULK (10pcs)	chromed with white housing RETAIL (1pcs)	chromed with white housing BULK (10pcs)	SS with white housing RETAIL (1pcs)	black with black housing RETAIL (1pcs)	mm		Hose	Hose m
						recess	outer dimensions		
15.248.00	15.248.00BU	15.248.06	15.248.06BU	15.248.70	15.248.56	Ø70x40.5	88x95	Net PVC	2.5
15.248.01	15.248.01BU	15.248.07	15.248.07BU	15.248.71	15.248.57	Ø70x40.5	88x95	Net PVC	4
-	-	15.148.06	15.148.06BU	15.248.80	-	Ø70x40.5	88x95	SS	2.5
-	-	15.148.07	15.148.07BU	15.248.81	-	Ø70x40.5	88x95	SS	4
15.248.60	15.248.60BU	-	-	15.248.90	-	Ø70x40.5	88x95	White nylon	2.5
15.248.61	15.248.61BU	-	-	15.248.91	-	Ø70x40.5	88x95	White nylon	4



New Edge deck shower with Niagara shower head

Chromed ABS shower head with, UV-resistant ASA white housing.

White lid RETAIL (1pcs)	White lid BULK (10pcs)	Chromed lid RETAIL (1pcs)	mm		Hose	Hose m
			recess	outer dimensions		
15.160.01	15.160.01BU	15.160.20	Ø70x40.5	88x95	Net PVC	2.5
15.160.02	15.160.02BU	15.160.21	Ø70x40.5	88x95	Net PVC	4
15.160.30	15.160.30BU	15.160.50	Ø70x40.5	88x95	SS	2.5
15.160.31	15.160.31BU	15.160.51	Ø70x40.5	88x95	SS	4
15.160.60	15.160.60BU	-	Ø70x40.5	88x95	White nylon	2.5
15.160.61	15.160.61BU	-	Ø70x40.5	88x95	White nylon	4

15.290.55 Hose bag (option)



Nuvola & Elissa deck shower



Nuvola deck shower with Keji shower head

STAINLESS LOOK

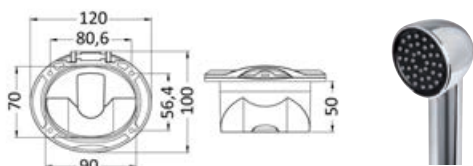
REGISTERED DESIGN

Housing with AISI316 stainless steel insert. Inclined at 45° for flat or vertical mounting.

Fitted with Keji oversized shower head and anti-limescale sprayer.



Code RETAIL (1pcs)	←→ mm		Hose	Hose m
	recess bore	outer dimensions		
15.275.01	90x70	120x100	Net PVC	2.5
15.275.02	90x70	120x100	Net PVC	4
15.275.11	90x70	120x100	SS	2.5
15.275.12	90x70	120x100	SS	4
15.275.21	90x70	120x100	White nylon	2.5
15.275.22	90x70	120x100	White nylon	4





Elissa deck shower with Tiger shower head

AISI 316

AISI316 stainless steel housing with self-supporting lid. Fitted with Tiger stainless steel shower head and inside anti-vibration rubber washer.

Code RETAIL (1pcs)	mm		Hose	Hose m
	recess bore	outer dimensions		
15.303.00	90x70	118x97	Net PVC	2.5
15.303.01	90x70	118x97	Net PVC	4
15.303.30	90x70	118x97	SS	2.5
15.303.31	90x70	118x97	SS	4
15.303.60	90x70	118x97	White nylon	2.5
15.303.61	90x70	118x97	White nylon	4



Elissa deck shower with Keji shower head

AISI 316

REGISTERED DESIGN

AISI316 stainless steel shower housing with self-supporting lid. Fitted with Keji oversized shower head and inside anti-vibration rubber washer.

Code RETAIL (1pcs)	mm		Hose	Hose m
	recess bore	outer dimensions		
15.304.00	90x70	118x97	net PVC	2.5
15.304.01	90x70	118x97	net PVC	4
15.304.30	90x70	118x97	SS	2.5
15.304.31	90x70	118x97	SS	4
15.304.60	90x70	118x97	white nylon	2.5
15.304.61	90x70	118x97	white nylon	4



Elissa deck shower with Keji II Continuum Flow shower head

AISI 316

CONTINUUM FLOW

REGISTERED DESIGN

AISI316 stainless steel shower housing with self-supporting lid. Fitted with Keji II Continuum Flow oversized shower head and inside anti-vibration rubber washer.

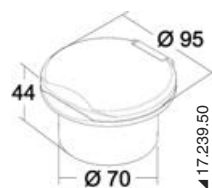
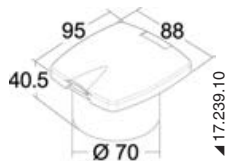
Code RETAIL (1pcs)	mm		Hose	Hose m
	recess bore	outer dimensions		
15.305.00	90x70	118x97	Net PVC	2.5
15.305.01	90x70	118x97	Net PVC	4
15.305.30	90x70	118x97	SS	2.5
15.305.31	90x70	118x97	SS	4
15.305.60	90x70	118x97	White nylon	2.5
15.305.61	90x70	118x97	White nylon	4



Deck shower with mixer

Chromed brass tap with ceramic mixer.
Recess-fit white UV-resistant ASA housing.

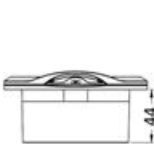
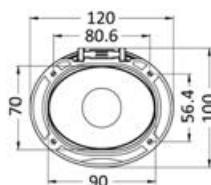
White	Housing type	housing mm		Hot/cold water mixer
		recess	outer dimensions	
17.239.10	New Edge	Ø70x40.5	88x95	17.051.00
17.239.50	Classic EVO	Ø70x44	Ø95	17.051.00



Nuvola deck shower with mixer

STAINLESS LOOK Chromed brass tap with ceramic mixer.
ASA housing with AISI316 stainless steel insert.

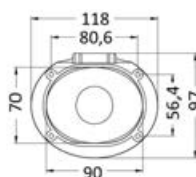
Code	mm	
	recess	outer dimensions
15.239.60	90x70	120x100



Elissa deck shower with mixer

AISI 316 AISI316 stainless steel housing with self-supporting lid.
Fitted with cylindrical knob mixer.

Code	mm	
	recess	outer dimensions
17.239.90	90x70x46	118x97



Bag for shower hose

Convenient plastic-mesh bag made for the hose of the below-deck shower to prevent getting entangled in the other equipment and making it impossible to extract the shower head. Easy to fasten and adapt to all situations.


Code	To be used with deck showers	Mounting
15.290.55	Classic EVO single , horizontal mounting, Mizar deck shower: 15.250.00/01/06/07; 15.150.06/07; New Edge single , horizontal mounting, Mizar and Niagara deck shower: 15.243.00/01/06/07; 15.143.06/07; 15.160.xx; Oval double , Mizar deck shower: 15.240.01/02/30/31; 15.140.30/31; 15.241.01/02; New Edge double , Mizar deck shower: 15.257.01/02/30/31; 15.257.41/42.	To be snapped in and/or glued
15.290.56	Classic EVO single , bulkhead mounting, Mizar deck shower: 15.250.03/04/09/10; 15.150.09/10.	To be screwed



Oval deck shower with Mizar mixer and push-button shower head

Chromed brass shower and white UV-resistant ASA housing.
Fitted with hot/cold water mixer. Flat or bulkhead mounting.

White lid RETAIL (1pcs)	White lid BULK (10pcs)	Chromed lid RETAIL (1pcs)	Chromed lid BULK (10pcs)	mm		Hose	Hose m
				recess	outer dimensions		
15.240.01	15.240.01BU	15.240.30	15.240.30BU	150x80x40	185x131	Net PVC	2.5
15.240.02	15.240.02BU	15.240.31	15.240.31BU	150x80x40	185x131	Net PVC	4
-	-	15.140.30	15.140.30BU	150x80x40	185x131	SS	2.5
-	-	15.140.31	15.140.31BU	150x80x40	185x131	SS	4
15.240.60	-	-	-	150x80x40	185x131	White nylon	2.5
15.240.61	-	-	-	150x80x40	185x131	White nylon	4


 15.290.55 Hose bag (option)

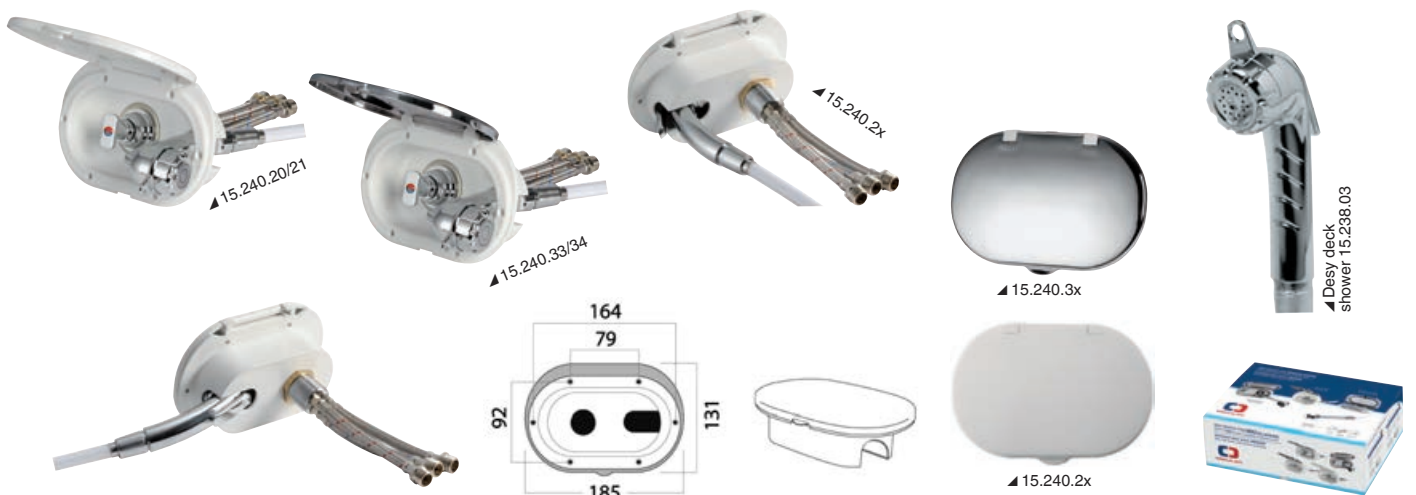


Oval deck shower with Desy mixer and push-button shower head

Chromed plastic shower and white UV-resistant ASA housing.
Fitted with hot/cold water mixer. Flat or bulkhead mounting.

White lid RETAIL (1pcs)	White lid BULK (10pcs)	Chromed lid RETAIL (1pcs)	Chromed lid BULK (10pcs)	mm		Hose	Hose m
				recess	outer dimensions		
15.240.20	15.240.20BU	15.240.33	15.240.33BU	150x80x40	185x131	Net PVC	2.5
15.240.21	15.240.21BU	15.240.34	15.240.34BU	150x80x40	185x131	Net PVC	4

 15.290.55 Hose bag (option)



New Edge deck shower with Mizar mixer and push-button shower head

Chromed brass shower and white UV-resistant ASA housing.
Fitted with hot/cold water mixer. Flat or bulkhead mounting.

White lid RETAIL (1pcs)	White lid BULK (10pcs)	RAL 9010 cream lid RETAIL (1pcs)	RAL 9010 cream lid BULK (10pcs)	Chromed lid RETAIL (1pcs)	Chromed lid BULK (10pcs)	mm		Hose	Hose m
						recess	outer dimensions		
15.257.01	15.257.01BU	15.257.41	15.257.41BU	15.257.30	15.257.30BU	148x74x40	180x105	Net PVC	2.5
15.257.02	15.257.02BU	15.257.42	15.257.42BU	15.257.31	15.257.31BU	148x74x40	180x105	Net PVC	4

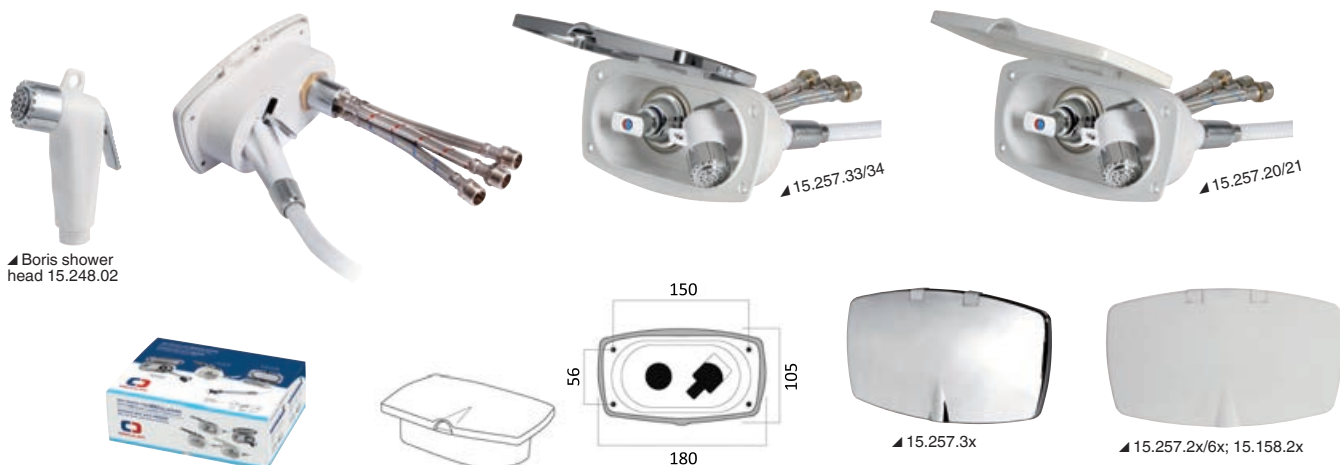
15.290.55 Hose bag (option)



New Edge deck shower with Boris mixer and push-button shower head

Plastic shower with chromed head and white UV-resistant ASA housing.
Fitted with hot/cold water mixer. Flat or bulkhead mounting.

White lid RETAIL (1pcs)	White lid BULK (10pcs)	Chromed lid RETAIL (1pcs)	Chromed lid BULK (10pcs)	mm		Hose	Hose m
				recess	outer dimensions		
15.257.20	15.257.20BU	15.257.33	15.257.33BU	148x74x40	180x105	Net PVC	2.5
15.257.21	15.257.21BU	15.257.34	15.257.34BU	148x74x40	180x105	Net PVC	4
15.158.20	15.158.20BU	-	-	148x74x40	180x105	SS	2.5
15.158.21	15.158.21BU	-	-	148x74x40	180x105	SS	4
15.257.60	15.257.60BU	-	-	148x74x40	180x105	White nylon	2.5
15.257.61	15.257.61BU	-	-	148x74x40	180x105	White nylon	4



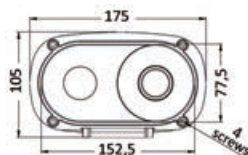
Elissa deck shower with Tiger mixer and shower head

AISI 316

AISI316 stainless steel housing with self-supporting/soft-close lid. Fitted with Tiger stainless steel shower head and inside anti-vibration washer. Mixer with cylindrical knob.



Code	mm		Hose	Hose m
	outer dimensions	recess bore		
15.323.00	175x105	152.5x77	Net PVC	2.5
15.323.01	175x105	152.5x77	Net PVC	4
15.323.30	175x105	152.5x77	SS	2.5
15.323.31	175x105	152.5x77	SS	4
15.323.60	175x105	152.5x77	White nylon	2.5
15.323.61	175x105	152.5x77	White nylon	4



Elissa deck shower with Keji mixer and shower head

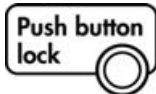
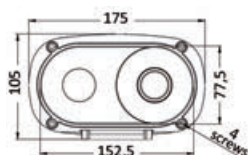
AISI 316

REGISTERED DESIGN

AISI316 stainless steel housing with self-supporting/soft-close lid. Fitted with Keji chromed plastic shower head with oversized head. Inside anti-vibration washer. Mixer with cylindrical knob.



Code	mm		Hose	Hose m
	outer dimensions	recess bore		
15.324.00	175x105	152.5x77	Net PVC	2.5
15.324.01	175x105	152.5x77	Net PVC	4
15.324.30	175x105	152.5x77	SS	2.5
15.324.31	175x105	152.5x77	SS	4
15.324.60	175x105	152.5x77	White nylon	2.5
15.324.61	175x105	152.5x77	White nylon	4



Elissa deck shower with Keji II Continuum Flow mixer and shower head

AISI 316

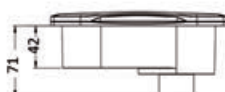
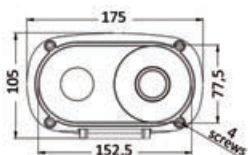
CONTINUUM FLOW

REGISTERED DESIGN

AISI316 stainless steel shower housing with soft-close self-supporting lid. Fitted with Keji II Continuum Flow chromed brass oversized shower head and inside anti-vibration washer. Cylinder knob mixer. Ideal in combination with Rocky pole 15.480.20.



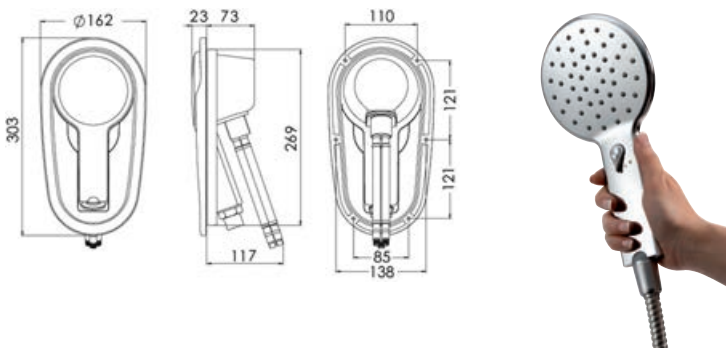
Code	mm		Hose	Hose m
	recess bore	outer dimensions		
15.325.00	175x105	152.5x77	Net PVC	2.5
15.325.01	175x105	152.5x77	Net PVC	4
15.325.30	175x105	152.5x77	SS	2.5
15.325.31	175x105	152.5x77	SS	4
15.325.60	175x105	152.5x77	White nylon	2.5
15.325.61	175x105	152.5x77	White nylon	4



Adriana recess-fit deck shower

Deck shower for deluxe boats.
 Fitted with a large Bossini adjustable jet shower head with cold/hot water mixer.
 UV-resistant ASA housing. The shower head is easy to pull out and also works as cover.
 No lid for easier use and to prevent the tube to get stuck and damaged.

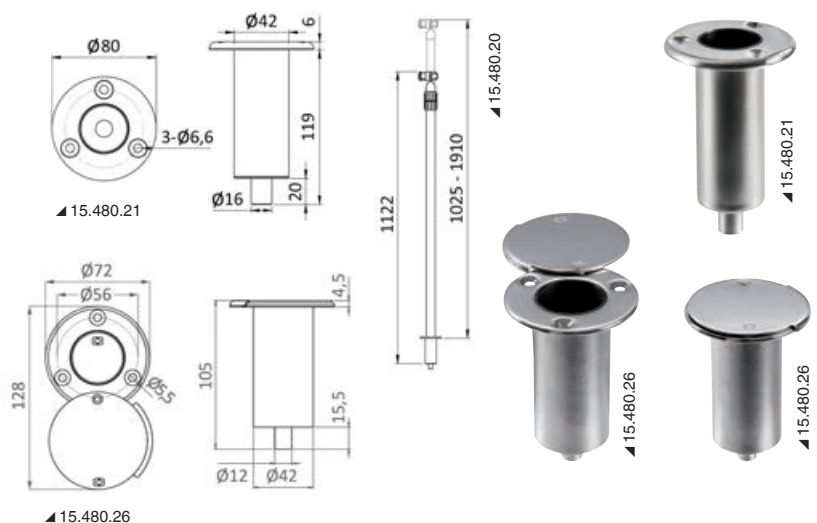
Code	Finish		mm		Tube	Tube m
	housing	shower head	recess	outer dimensions		
15.480.00	White ASA	Chromed	132x271	162x303	SS	4



Rocky shower telescopic rod for outdoor purposes

This rod makes it possible to have a shower head on the stern gangplank.
 Made of black anodized aluminium + stainless steel parts.
 The shower head can be adjusted in any position.
 Lightweight and telescopic for easy storage, rod outer diameter 35 mm (order 34.355.00 for bulkhead stowage).
 Ideal to match Adriana deck shower 15.480.00 or Keji II Continuum Flow 15.237.06.

Code	Type	Version	For shower	Description
15.480.21	Standard base	Without lid	-	Recess-fit SS base + POM bushing
15.480.26	Delux base	With lid	-	Flush base with sliding cover, POM bushing and hidden screws.
15.480.20	Rod	Aluminium	Generic	Black anodized aluminium shower rod
15.480.28	New Rod	Carbon	Generic	Universal carbon shower rod
15.480.29	New Rod	Carbon	Saturn type 15.470.xx	Carbon shower rod only for Sartum shower 15.470.xx



Deck showers

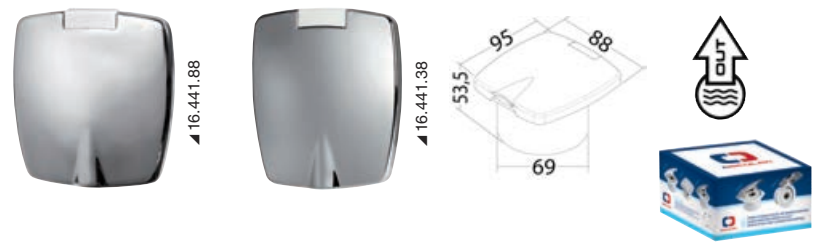


New Edge quick-coupling washdown hose connector

It connects the onboard fresh water system or to the washdown salt water pump and it keeps the line under pressure. The washing hose plugs in onto the inlet and automatically activates the pump. UV resistant **ASA** box, **chromed brass** device.

White	Chromed	SS	←→ mm	
			recess Ø	Recess
16.441.18	16.441.38	16.441.88	69	50

17.224.01 *OPTIONAL 1/2" male elbow fitting to plug into rear inlet hose*
 36.189.01; 36.189.03; 36.189.04 *OPTIONAL Front male plug-in fitting*



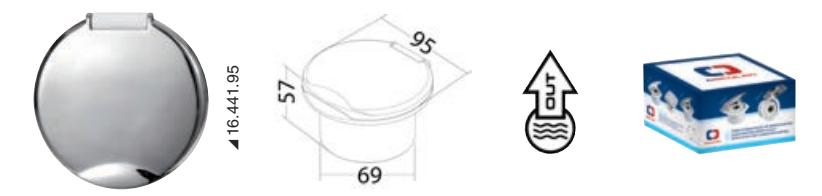
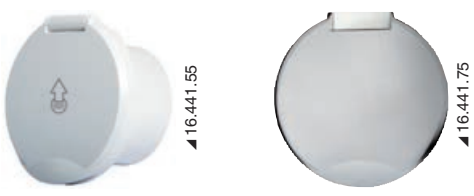
Classic EVO quick-coupling washdown hose connector

It connects the onboard fresh water system or to the washdown salt water pump and it keeps the line under pressure. The washing hose plugs in onto the inlet and automatically activates the pump. UV resistant **ABS** box, **chromed brass** device.



White	Chromed	SS	←→ mm	
			recess Ø	recess
16.441.55	16.441.75	16.441.95	69	43

17.224.01 *OPTIONAL 1/2" elbow fitting to plug rear inlet hose*
 36.189.01; 36.189.03; 36.189.04 *OPTIONAL Front male plug-in fitting*



Nuvola quick-coupling hose connector for deck washdown

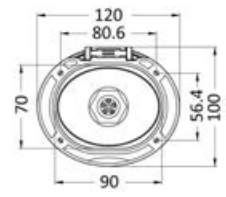
STAINLESS LOOK

It connects to the onboard (fresh) water system or to the (salt water) washdown pump and keep the line under pressure. The washing tube snaps into the hose connector and automatically activates the pump. UV-resistant **ASA** housing with **AISI316** stainless steel insert, **chromed brass** mechanism.



Code	←→ mm	
	recess bore	recess
16.444.00	90x70	52.5

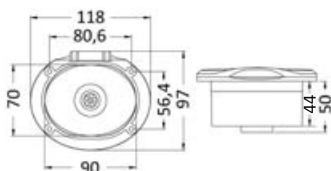
17.224.01 *OPTIONAL 1/2" elbow male fitting for connection to rear inlet tube.*
 36.189.01; 36.189.03; 36.189.04 *OPTIONAL Front snap-in male fitting.*



Elissa quick fitting hose connector for deck washdown

AISI 316 It connects to the onboard water system (fresh water) or to the washdown pump (salt water) and keeps the line under pressure. The washing tube snaps into the plug and automatically activates the pump. AISI316 stainless steel compartment, self-supporting hatch.

Code	mm	
	recess bore	inside projection
16.443.00	90x70	50



Bayonet flush fitting for washdown

The device connects under deck to Washdown pumps or similar items and it keeps the pump under pressure. When the bayonet fitting connects the washing hose, the device automatically opens and activates the pump. 100% stainless steel. Garden-type quick fitting on the end caps (36.189.02).

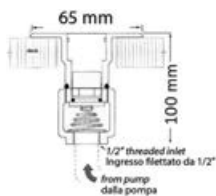
Code	Description	Spare plastic joint
16.442.22	Bayonet fitting + straight plastic fitting	16.442.31 (straight)
16.442.23	Bayonet fitting + sloped plastic fitting	16.442.30 (sloped)

The sloped fitting makes opening easier in case of high-pressure washdown pumps or when the fitting is in a position difficult to plug.



▲ 16.442.23 + 16.442.30

▲ 16.442.22 + 16.442.31



▲ 16.442.22/23



▲ 16.442.30



▲ 16.442.31





Heavy Duty New Edge recess-fit hose connector for fresh water

QUICK SWIVEL CONNECTION

PRESSURE REDUCING VALVE

Ideal when you want to use quayside fresh water: it reduces the pressure to 3 bars not to damage the pipes by means of an innovative compact system fitted with adjustable pressure regulator and brass check valve. The quayside water pipe snaps into a gardening-like hose connector (see code 36.189.02). BSP male 3/4" outlet thread.

White	Chromed	SS	←→ mm		90° quick coupling fitting
			Recess Ø	inside projection	
16.445.14	16.445.34	16.445.84	69	110-110	Included



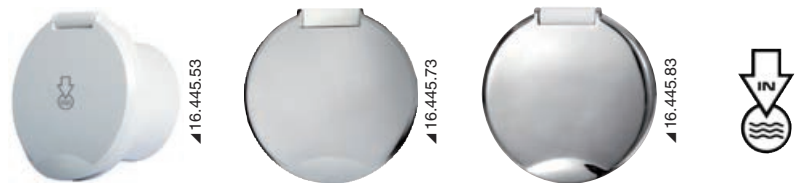
Heavy Duty Classic Evo recess-fit fresh water inlet

QUICK SWIVEL CONNECTION

PRESSURE REDUCING VALVE

Ideal when you want to use quayside fresh water: it reduces the pressure to 3 bars not to damage the pipes by means of an innovative compact system fitted with adjustable pressure regulator and brass check valve. The quayside water pipe snaps into a gardening-like hose connector (see code 36.189.02). BSP male 3/4" outlet thread.

White	Chromed	SS	←→ mm		90° quick coupling fitting
			Recess Ø	inside projection	
16.445.53	16.445.73	16.445.83	69	110-110	Included



Elissa hose connector for fresh water

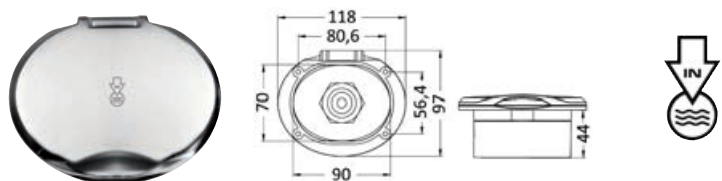
AISI 316

QUICK SWIVEL CONNECTION

PRESSURE REDUCING VALVE

Ideal when you want to use quayside fresh water: it reduces the pressure to 3 bars not to damage the pipes by means of an innovative compact system fitted with adjustable pressure regulator and brass check valve. The quayside water pipe snaps into a gardening-like hose connector (see code 36.189.02). BSP male 3/4" outlet thread. AISI316 stainless steel compartment and self-supporting hatch.

Code	←→ mm	
	recess bore	inside projection
16.443.20	90x70	110-110



Faucets

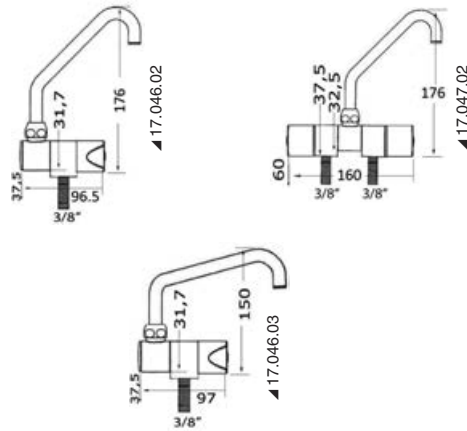




Slide series

Made of chromed brass.
It can be mounted inside the sink for a flat design countertop.

Code	Function	Knob	Hose connector
17.046.02	Cold water	Italy	3/8" male
17.046.03	Cold water	Italy	3/8" male
17.047.02	Hot + cold water	Italy	2 x 3/8" male

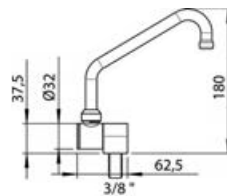


Folding spout with flow restrictor

Rotating and folding chromed brass spout.
It can be mounted inside the sink for a flat design countertop.



Code	Function	Knob	Hose adaptor
17.046.40	Cold water	No	3/8" male



Shower series

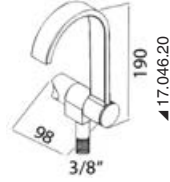
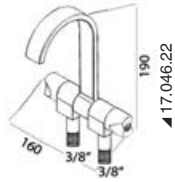
Ideal for indoor/outdoor showers, fitted with 3 x lower connection hoses made of stainless steel sheath.

Code	Function	Handle	Base Ø mm	Overhang mm	Mounting neck
17.048.00 New	Hot/cold water mixer	Round	42	45	32-mm Ø + 37-mm long
17.051.00	Hot/cold water mixer	T	42	45	32-mm Ø + 37-mm long
17.051.01	Hot/cold water mixer	Oval	42	45	32-mm Ø + 37-mm long
17.052.01	Cold water only	Oval	42	45	32-mm Ø + 37-mm long
17.051.06	Hot/cold water mixer	Slim	42	45	32-mm Ø + 37-mm long

Style series

Made of chromed brass.
It can be mounted inside the sink for a flat design countertop.

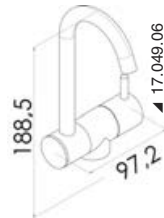
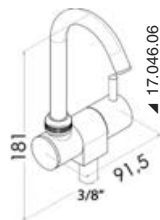
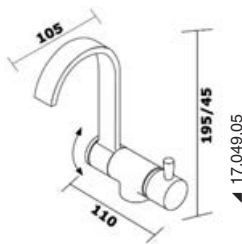
Code	Function	Knob	Hose connector
17.046.20	Cold water	Italy	3/8" male
17.046.22	Hot + cold water	Italy	2 x 3/8" male



Slim series

Made of chromed brass.
It can be mounted inside the sink for a flat design countertop.

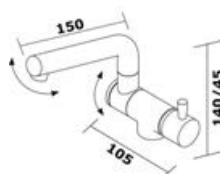
Code	Function	Knob	Mixer	Hose connector
17.046.06	Cold water	Slim	-	3/8" male
17.049.06	Hot/cold water mixer	Slim	Ceramic	-
17.049.05	Hot/cold water mixer	Slim	Ceramic	-



Wheel double-connection series

Made of chromed brass.
It can be mounted inside the sink for a flat design countertop.

Code	Function	Knob	Mixer
17.049.10	Hot/cold water mixer	Slim	Ceramic



Bow roller + Trefoil® anchor

With wave guard system.
High-level products for style and performance.



Bow rollers and anchors accessories

Bow roller + Trefoil® anchor with anti-water plate

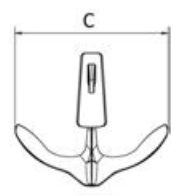
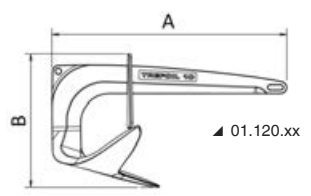
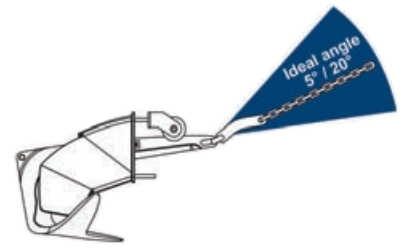
AISI 316

SELF LAUNCHING

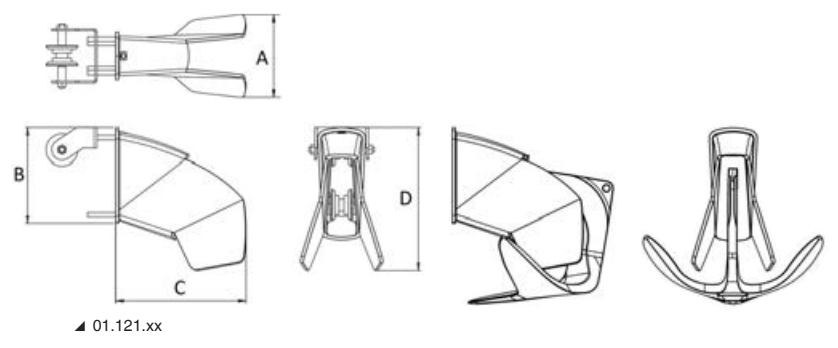
Bow roller fitted with an anchor having a coupling plate that closes perfectly the hole on the hull. This system makes the plate strike against the roller preventing water from leaking into the forepeak. The roller is designed to match the Trefoil anchor for a combination of high-level products in style and performance.

The system can be easily installed by 4 studs behind the roller and is fitted with two sheaves for smooth sliding of the chain. Made from 100% mirror-polished AISI316 stainless steel.

It is recommended to install it on the chain by means of the Twist joint 01.738.01. Windlass ideal pull angle at 5° / 20° from the roller horizontal axis.



Code	Description	kg	mm			
			A	B	C	D
01.120.07 New	Trefoil anchor 7.5 kg	7.5	535	230	352	-
01.120.10	Trefoil anchor 10 kg	10	588	331	383	-
01.120.20 New	Trefoil anchor 20 kg	20	702	370	468	-
01.121.07 New	Bow roller 7.5 kg	6.3	150	168	232	322
01.121.10	Bow roller 10 kg	9.3	117	203	279	305
01.121.20 New	Bow roller 20 kg	12.6	206	224	270	254



Mr. Fantastic extendable roller

Ideal for vertical bow.
From 7,5 to 30 kg anchor.



Bow rollers and anchors accessories

Mr. Fantastic extendable roller

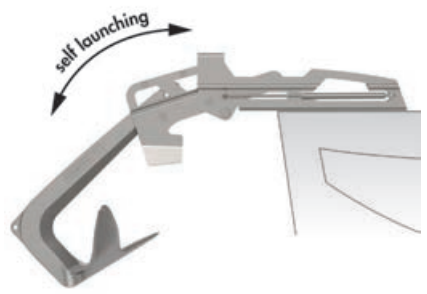
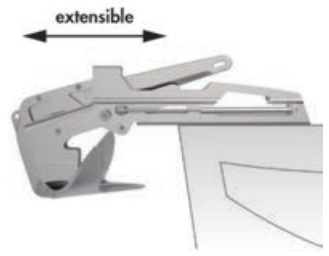
EXTENDABLE **IDEAL FOR VERTICAL BOW** **SELF LAUNCHING**

Made of mirror-polished stainless steel, ideal for Trefoil or similar anchors. Fitted with an innovative gas spring system that keeps the anchor off the bow before being cast.

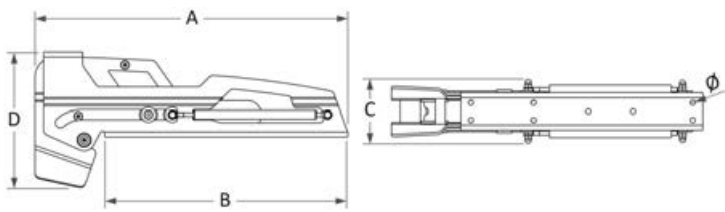
At the same time, a tilting movement lets the anchor drop automatically while keeping it at a safety distance from the bow. The roller has a **22-cm extension stroke** and is mainly suitable for vertical bows.

Its lightweight and sports shape is well-suited to the hull and its steel frame is designed to withstand high loads.

Code	For anchors kg	Extension mm	A mm	B mm	C mm	D mm	Ø mm	Plate thickness mm
01.338.07	7.5 - 10	130	468	357	120	228	8.4	5
01.338.15	10 - 15	200	625	480	120	270	10.4	5
01.338.30 New	20 - 30	220	750	600	140	310	10.4	8



video



Anchor gripper kit

It consists of eyebolt and Pad-Eye + high-resistance strap + snap-hook. Made with 100% rustproof tape, it doesn't scratch or bang against the deck. Reflective tape seams for high visibility at night. To be installed near the winch as safety gripper to prevent the anchor from falling during navigation.

Code	For chain Ø mm	Length cm	Anchorage point	Snap hook
01.747.06	6/8	20	39.181.05	09.247.70
01.747.10	10/12	25	39.873.01	09.247.10

Rock deck footswitch for windlass/winch electrical control.

AISI 316 Operated by foot or manually. Fitted with a rotation release system for recess mounting in order to save space. Ideal to activate the contactors, perfectly watertight, stainless steel outer ring.

Code	Button colour	Ø mm
02.345.00	Black	70



Heavy Duty footswitch

02.346.00 Made of mirror-polished AISI316 stainless steel, fitted with built-in switch cover for protection. 100% watertight, ideal to control under deck contactors, easy to install with 4 self-tapping screws.



Rock Footswitch

Stainless steel outer ring.

Heavy Duty Footswitch

100% watertight, ideal to control under deck contactors

Twist anchor swivelling connector

AISI 316

PATENT

Made of mirror-polished AISI316 stainless steel.

With the latest asymmetric anchors (Bruce, Delta, Trefoil® etc.), when the anchor is raised, it most probably turns the wrong side. The **Twist swivelling connector** turns the anchor correctly and it reeves into the roller or hawsehole.

A shackle connects the fixed eye to the anchor.

Code	Chain Ø mm	Connecting shackle	A mm	B mm	C mm
01.738.01	6/8	01.080.10	220	60	28
01.738.02	10/12	01.080.10/12/14	320	83	38



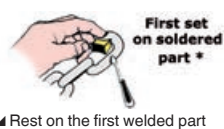
Chain Rainbow marker

PATENT

METS NOMINATION 2003

Coloured plastic inserts for fitting into chain links.
Sold in kits for marking 25 cm of calibrated chain.

Insert colours					For calibrated chain Ø mm	No of inserts
white	blue	yellow	red	green		
01.500.06BI	01.500.06BL	01.500.06GI	01.500.06RO	01.500.06VE	6	14
01.500.08BI	01.500.08BL	01.500.08GI	01.500.08RO	01.500.08VE	8	10
01.500.10BI	01.500.10BL	01.500.10GI	01.500.10RO	01.500.10VE	10	8
01.500.12BI	01.500.12BL	01.500.12GI	01.500.12RO	01.500.12VE	12	8



Chain Rainbow marker kit, assorted colours

PATENT

METS NOMINATION 2003

Package of assorted Chain Rainbow markers to mark a whole length of chain.
The kit includes markers in 5 colours (white, blue, yellow, red and green).

Code	For calibrated chain Ø mm	No of inserts
01.501.06	6	70
01.501.08	8	50
01.501.10	10	40
01.501.12	12	40





▲ 11.470.01/01BU



▲ 11.470.04/04BU



▲ 11.470.01/01BU

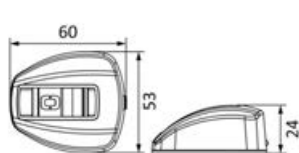
Nemo LED navigation lights for vertical mounting

LED

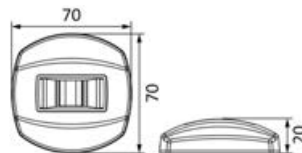
AISI 316

Black polycarbonate body and mirror-polished AISI316 stainless steel case. Easy to install on both the hull and the deck. RINA type-approved in compliance with the COLREG72 regulations. For vessels up to 20 metres with visibility not exceeding 2NM.

Blister	Bulk 6 pcs/pair	Content	Light colour	Visibility NM	V	W
11.470.01	11.470.01BU	Pair of lights	Red + Green 112,5° left + 112,5° right	2	12	0,4+0,4
11.470.04	11.470.04BU	Single light	White 135° stern	2	12	0,4



▲ 11.470.01/01BU



▲ 11.470.04/04BU



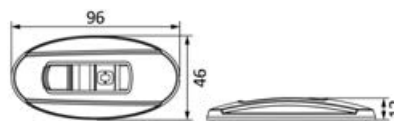
Nemo LED navigation lights for recess mounting

LED

AISI 316

Black polycarbonate body and mirror-polished AISI316 stainless steel case. Easy to install on both the hull and the deck. For the correct adjustment of the light body, it is recommended to install it on a surface angled at 22° again the axis of the bow. RINA type-approved in compliance with the COLREG72 regulations. For vessels up to 20 metres with visibility not exceeding 2NM.

Retail	Bulk 6 pair	Content	Light colour	Visibility NM	V	W
11.473.01	11.473.01BU	Couple of lights	Red + Green 112,5° left + 112,5° right	2	12	0,4+0,4



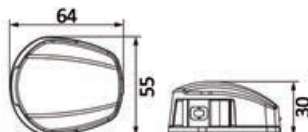
Nemo LED navigation lights for horizontal mounting

LED

AISI 316

Black PVC body and mirror-polished AISI316 stainless steel case. Easy to install on both the hull and the deck. RINA type-approved in compliance with the COLREG72 regulations. For vessels up to 20 metres with visibility not exceeding 2NM.

Retail	Bulk 6 pcs/pair	Content	Light colour	Visibility NM	V	W
11.480.01	11.480.01BU	Couple of lights	Red + Green 112,5° left + 112,5° right	2	12	0,4+0,4
11.480.03	11.480.03BU	Single light	White 225° stern	3	12	0,4
11.480.05	11.480.05BU	Single light	Red + Green 112,5° + 112,5° bicolour	2	12	0,4



▲ 11.480.01/01BU



▲ 11.480.01/01BU



▲ 11.480.03/03BU

▲ 11.480.05/05BU

NEMO series navigation lights

RINA certified for boats up to 20 m



Complete range of side, deck and recessed lights



High efficiency LED lights



Anti-vibration EPDM gasket



Unique and sporty design



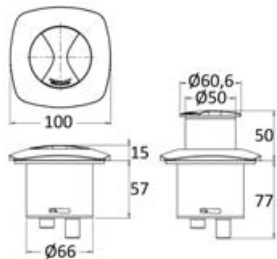
Borea push up LED navigation light for hulls up to 20 m

AISI 316

LED

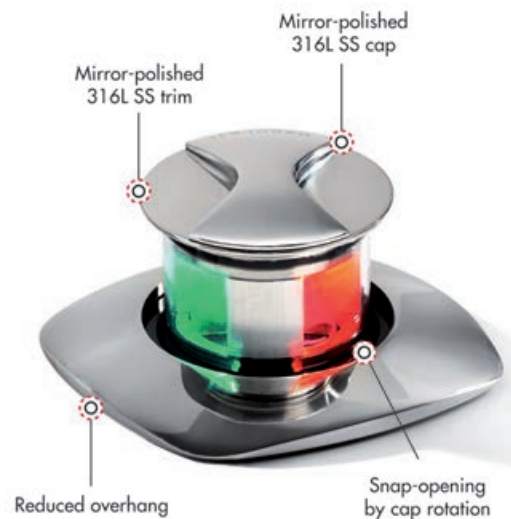
Technopolymer + mirror-polished AISI316 stainless steel body. Slightly rotate the upper stainless steel plate to raise the light to its use position.

Code	V	Version	Visibility	For hulls up to m
11.053.05	12/24	112.5° left + 112.5° right	2 NM	20



Borea navigation light

Foldable LED navigation light



New

360° removable light with telescopic pole

EXTENSIBLE

COLREG72

USCG

Mooring light with stainless steel telescopic pole. Extensible from 70 to 120 cm, fitted with 360° white light (2 MN visibility). When not in use, the light can be stored in the peak since its size can be reduced and it can be mounted on a built-in base. Sold complete with base 11.000.24.

Code	Length cm	Light colour	V
11.039.90	70/120	Black	12



11.000.24

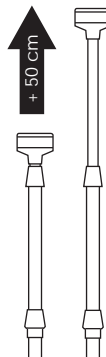


Table light

Aurora pop-out LED table light

13.448.00 - A Flush Lamp, that is concealed when retracted



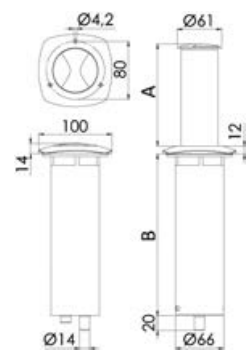
Aurora pop-out LED table light

LED Flush with the table top when off, it pops out and automatically lights up by slightly rotating the stainless steel upper ring.

Dimmer switch upon request (13.448.01) to dim the light for ambient effect. Mirror-polished AISI316 stainless steel upper element.

WARNING: 1 dimmer can manage up to 6 lamps at a time.

Code	Version	V	W	Lumen	K	Optional dimmer	↔ A-B mm
13.448.00	Standard	12/24	7	500	3000	13.448.01	140-222
13.448.06	Short	12/24	7	500	3000	13.448.01	71-110



Pull-out LED light pole for table applications

Designed to light up indoor/outdoor tables. Mirror-polished stainless steel LED light pole, chromed brass lamp holder. Light intensity (100% - 50% - 20% - 0) adjustable by means of a touch switch. 12V power supply through a base 13.440.10/16 sold separately.

Code	V	W	Lumen	K	LED beam angle	No of LEDs	Base with AISI 316 stainless steel cap OPTIONAL
13.440.02	12	4.2	440	3000	360°	48	13.440.10; 11.000.27 New



PULL LATCH HANDLE

38.164.00 - Large ergonomic handle for an extremely easy grip, flush deck design



Simple Latch

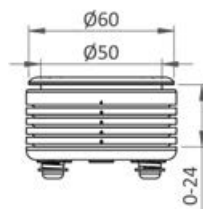
Eclipse anti-vibration pull latch

**EXTRA
LARGE
HANDLE**

- Featuring an extremely easy grip:
- Mirror-polished AISI316 stainless steel.
 - Flush deck design.
 - Large ergonomic handle.
 - Spring retractable handle.
 - Plastic spacer with marks for customized cut.

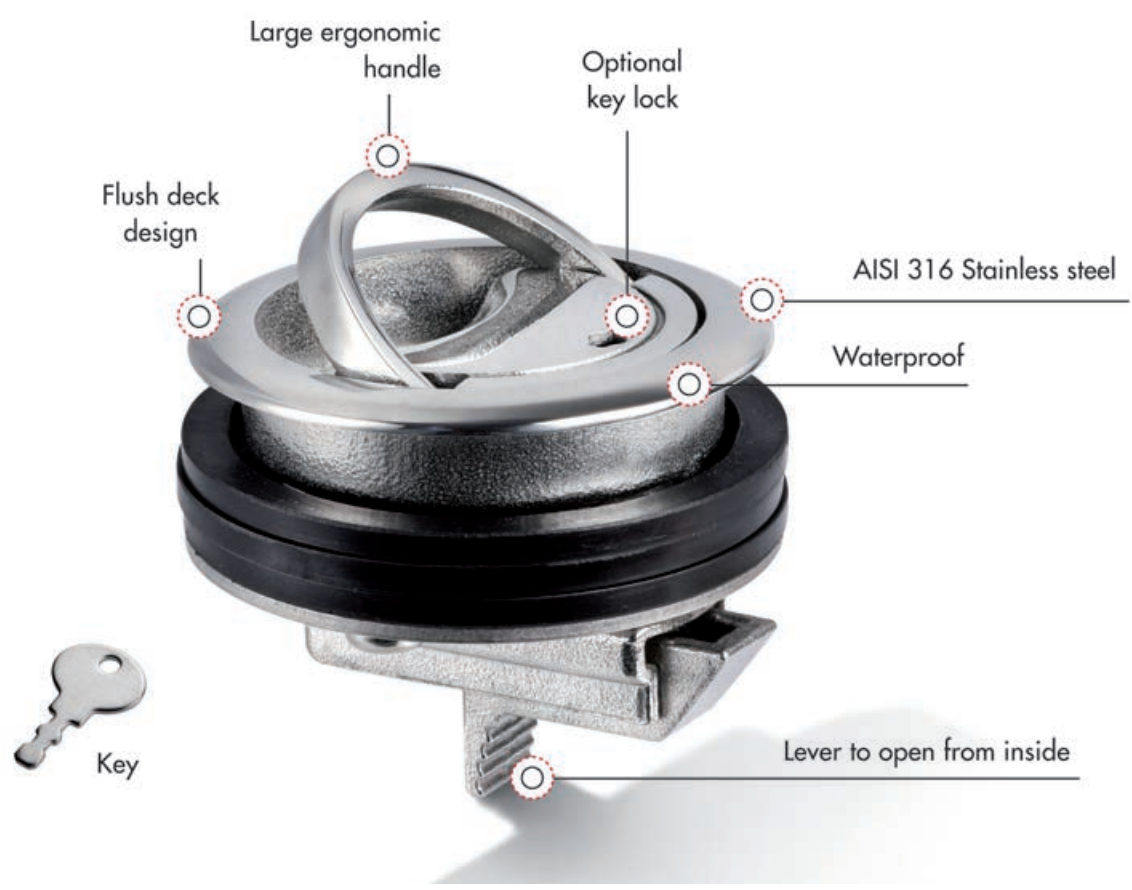


Code	External Ø mm	Bore Ø mm	Hatch thickness Ø mm
38.164.00	60	50	0-24



PUSH LOCK

38.163.01/02 - Easy opening from both inside and outside Flush deck design



▲ 38.163.01



▲ 38.163.02

Eclipse PUSH LOCK pull latch (push closure)

EXTRA LARGE HANDLE

- Featuring an extremely easy grip:
- Mirror-polished AISI316 stainless steel.
 - Flush deck design.
 - Large ergonomic handle.
 - Spring retractable handle.
 - It opens from inside and outside.

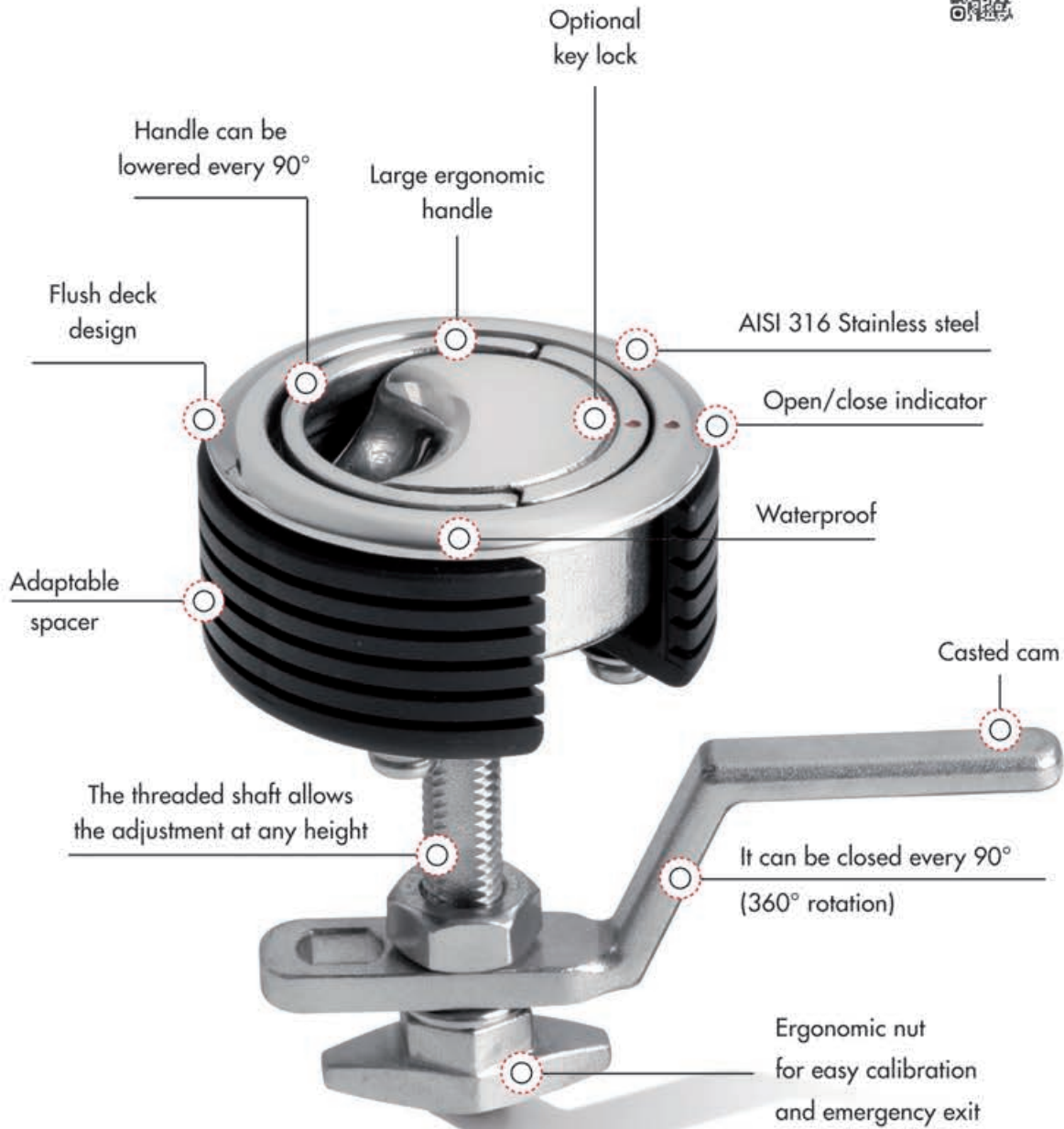
Code	Lock	For thickness mm	External Ø mm	Recess Ø mm
38.163.01	No	9-19	60	50
38.163.02	Yes	9-19	60	50



▲ Key for 38.163.02

LIFT & TURN compression latch

38.161.XX - Characterized by a particularly easy grip, they enclose all the best features of the pull latches in a single model.



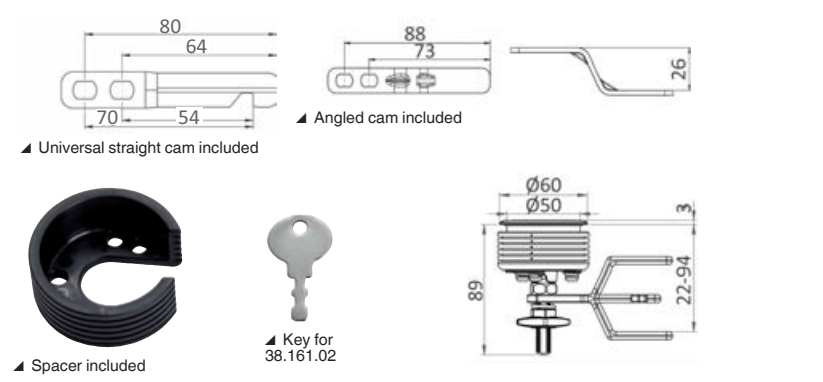
Eclipse LIFT & TURN flush latch (with compression closure) - SMALL

COMPRESSION SYSTEM EXTRA LARGE HANDLE

Featuring a very comfortable grip, it offers all the best characteristics in a single flush deck design model.

- Flush design.
- Large ergonomic handle.
- 360° rotation.
- Handle can be lowered every 90°.
- Open/close indicator.
- Ergonomic nut for easy calibration and emergency exit.
- Straight cam suitable for sliding doors.
- Two-position cam.
- Plastic spacer with marks for customized cut.

Polished SS version	Black SS version	Lock	Outer Ø mm	Bore Ø mm	Bulkhead thickness mm	Stop stroke mm
38.161.01	38.161.61 New	No	60	50	3-26	22-94
38.161.02	38.161.62 New	Yes	60	50	3-26	22-94



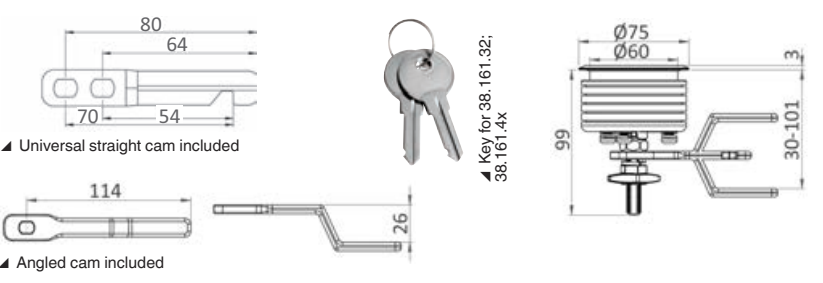
Eclipse LIFT & TURN flush latch (with compression closure) - MEDIUM

COMPRESSION SYSTEM EXTRA LARGE HANDLE

Featuring a very comfortable grip, it offers all the best characteristics in a single flush deck design model.

- Flush design.
- Large ergonomic handle.
- 360° rotation.
- Handle can be lowered every 90°.
- Open/close indicator.
- Ergonomic nut for easy calibration.
- Ergonomic nut for emergency exit.
- Straight cam suitable for sliding doors and having two different positions.
- Two-position cam.
- Plastic spacer with marks for customized cut.

Polished SS version	Black SS version	Lock	Outer Ø mm	Bore Ø mm	Bulkhead thickness mm	Stop stroke mm	Kit	No. of latches per kit (same key)
38.161.31	38.161.71 New	No	75	60	5-36	30-101	No	-
38.161.32	38.161.72 New	Yes	75	60	5-36	30-101	No	-
38.161.42	-	Yes	75	60	5-36	30-101	Yes	2
38.161.43	-	Yes	75	60	5-36	30-101	Yes	3
38.161.44	-	Yes	75	60	5-36	30-101	Yes	4
38.161.45	-	Yes	75	60	5-36	30-101	Yes	5



Eclipse LIFT & TURN flush latch (with compression closure) - BIG

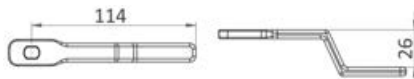
COMPRESSION SYSTEM

EXTRA LARGE HANDLE

Featuring a very comfortable grip, it offers all the best characteristics in a single flush deck design model.

- Flush design.
- Large ergonomic handle.
- 360° rotation.
- Handle can be lowered every 90°.
- Open/close indicator.
- Ergonomic nut for easy calibration and emergency exit.
- Straight cam suitable for sliding doors and with two possible positions.
- Plastic modular spacer for different thickness bulkheads.

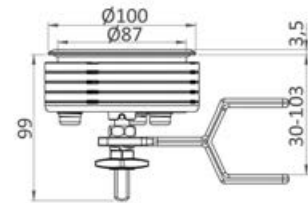
Code	Lock	Outer Ø mm	Bore Ø mm	Bulkhead thickness mm	Stop stroke mm
38.161.51	No	100	87	5.5-33	30-103



▲ Angled cam included



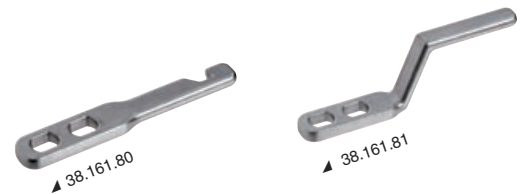
▲ Spacer included



Spares for Eclipse lift and turn latch

Their different shapes easily fit multiple hatches or applications.

Code	Description	Compatible models
38.161.80	Cam/lever	38.161.01/02/31/32/42/43/44/45/51
38.161.81	Cam/lever	38.161.01/02
38.161.82	Cam/lever	38.161.31/32/42/43/44/45
38.161.90	Spacers	38.161.01/02; 38.162.00; 38.152.40
38.161.91	Spacers	38.161.31/32/42/43/44/45



▲ 38.161.90



▲ 38.161.82



▲ 38.161.91

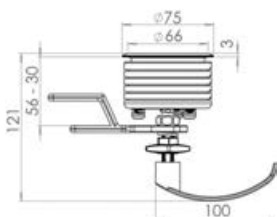
Eclipse (medium) pull latch for Marinaio cabins or large lockers

OPENING FROM INSIDE

COMPRESSION SYSTEM

Very comfortable grip, it encompasses all the best features of a flush deck pull latch. Internal handle for opening/closing from the inside.

Code	Lock	Outside Ø mm	Bore Ø mm	Bulkhead thickness mm	Stopper course mm
38.161.39	No	75	60	5-36	30-101





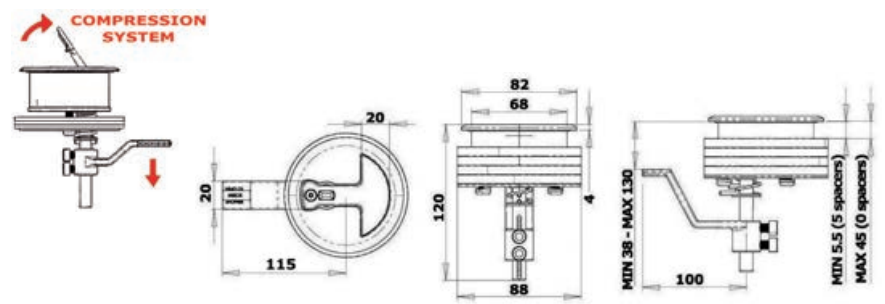
Lift and turn flush pull latch with compression system

AISI 316
COMPRESSION SYSTEM
REGISTERED DESIGN

Smooth pull catch system, with the same features of similar products but smoother and more practical to use.
 Cam system mechanism that compresses the locker/cabinet when closed and releases the pressure when the handle is lifted. Totally watertight.

Code	Lock	External Ø mm	Bulkhead hole Ø mm	For thickness mm	
				min	max
38.159.01	no	82	68	5.5	45
38.159.02	yes	82	68	5.5	45

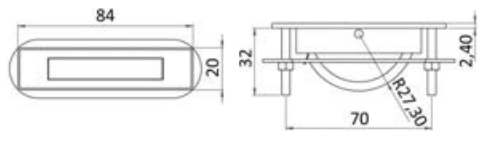
Emergency open from inside



New Delux pull handle

FLUSH **ERGONOMIC**

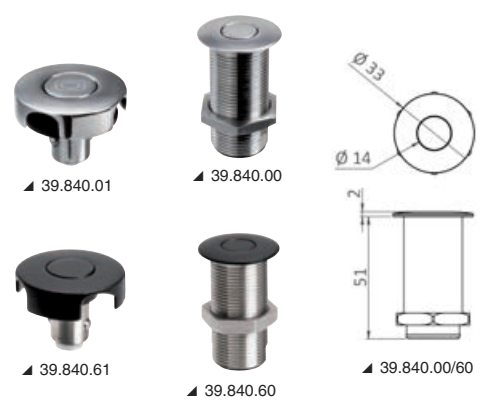
38.511.00 Small stainless steel handle.
 The rotary opening system provides a **large and ergonomic grip** in a reduced space.
 For recess-fit mounting. Fitted with anti-vibration closing system.



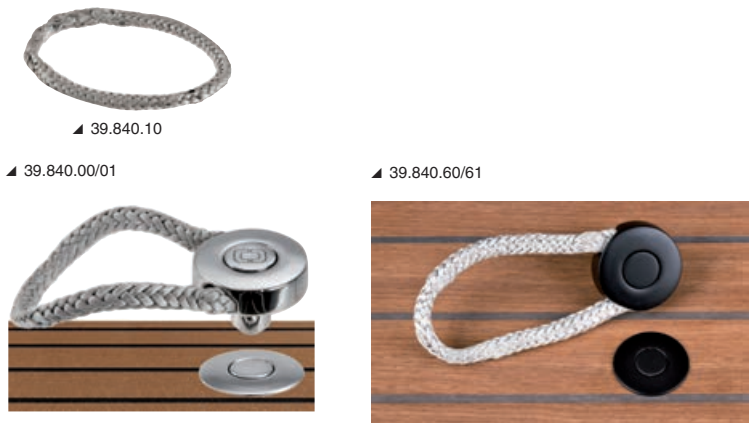
Rapid Lock system for fenders and bimini tops

AISI 316 **FLUSH**

Quick coupling/release system for fast fastening of fenders, Bimini tops, etc.
 Made of AISI316 stainless steel. When not in use, the recess base is flush with the surface.
 Fitted with Dyneema ring for fastening to the fender/Bimini top.



Polished SS version	Black SS version	Description	mm
39.840.00	39.840.60	Base Rapid Lock	Ø 33 x 53 h
39.840.01	39.840.61	Removable part	Ø 39 x 30 h
39.840.10	39.840.10	Loop ring grey Dyneema	Ø 7



Square pad eyes with HR folding forged eye

AISI 316

Mirror-polished square pad eyes with full forge eye for maximum mechanical strength. Fitted with anti-vibration rubber.

FORGE RING

It comes in a recyclable display package showing breaking load values. Same centre distance as Wichard having similar dimensions.

Code	Type	←→ mm				Ring section Ø mm	Breaking load kg
		A	B	C	D		
39.873.01	Square Small	57	27	45	23	6	2700
39.873.02	Square Medium	75	35	60	30	8	5100



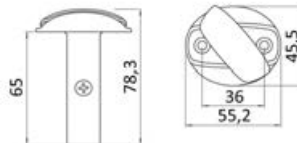
New

Dome hidden mini cleat

AISI316

Ideal for fender lines, dinghies and little boats. Made of mirror-polished AISI316 stainless steel.

Code	Base mm	Bore mm	Fastening	Breaking load kg
40.135.60	52x46	19	screws	2400



Smash Lock fender fixing

AISI 316

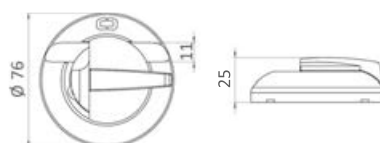
Innovative deck accessory for fast fastening of the fenders and line fixing.

FAST LOCK

Made of AISI316 mirror-polished stainless steel, compact design and instant locking system.

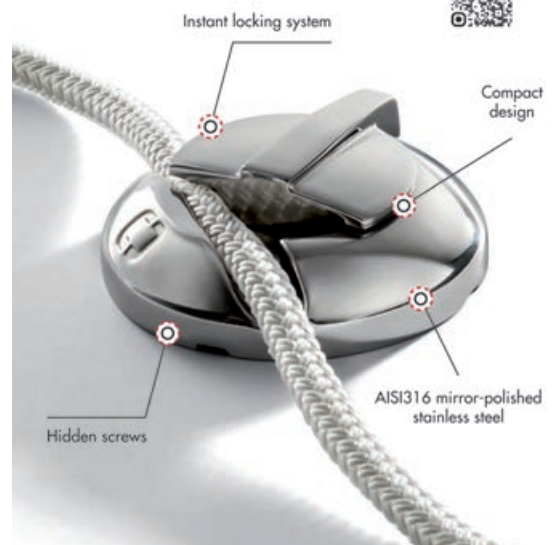
Designed for 6- to 10-mm Ø lines. Mounting with M5 countersunk head screws.

Code	←→ mm		For lines Ø mm
	Ø	height	
40.160.10	76	25	6/8/10



SMASH LOCK
Instant locking

40.160.10 - Designed for 6- to 10-mm Ø lines



Ghost II hidden cleat

AISI 316 PERFECT GRIP SMOOTH MOVEMENT

Watertight cleat with mounting screws from above. Very smooth operation. Ergonomic lifting handle. Fluorinated rubber O-ring for smooth sliding. ENAVE approved in compliance with ISO 15084:2003.



Polished SS version	Black SS version		A mm	B mm	C mm	D mm	E mm	F mm	ØG mm	ØH mm	Breaking load kg	Mounting	OPTIONAL drain pipe
40.155.16	40.156.16 New		160	38	15	28	47	48	14	24	800	3 x M6 screws	40.155.72
40.155.24	40.156.24 New		240	52	20	44	70	72	18	32	2050	3 x M8 screws	40.155.74
40.155.31	-		310	68	25	56	85	93	22	41	5200	3 x M10 screws	-



Ghost II hidden cleat

Elegant design combined with the ergonomic shape



Watch the video



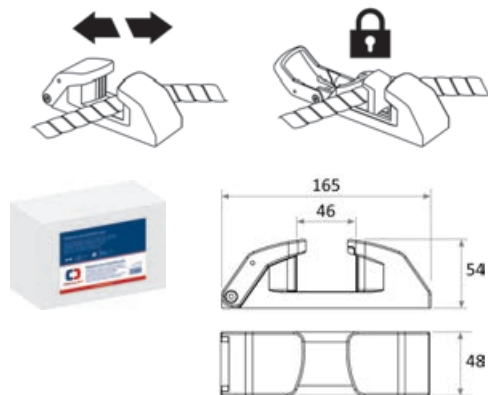
Watertight cleat with smooth sliding and automatic locking.

Crab fairlead with cam cleat

REGISTERED DESIGN **TEMPORARY LOCK** **IDEAL WITH CAPSTANS AND WINCH**

Mirror-polished AISI316 stainless steel fairlead with lever instant blocking system. Depending on the diameter, stiffness of the line and part line, the fairlead holds the line by means of its blocking system. In case of larger diameters (28 mm and over) or in unfavorable situations, keep the side lever pressed to cleat the line as long as it's needed to tie it onto the cleat. Simple and innovative, this system makes mooring faster and safer, suitable also for beginners helping the skipper. For line 20 to 26 mm (independent block) and 26/30 mm (manual block). Hidden screws, easy to install on the deck by means of two high-strength 8-mm Ø studs.

Code	←→ mm	Line-Ø mm
40.230.01	165x48x54	20 to 30



Straight fairlead made of stainless steel, Capri series

AISI 316 **REGISTERED DESIGN / DISEGNO DEPOSITATO**

Code	Description	For line Ø mm	OPTIONAL studs	A mm	B mm	C mm	D mm	E mm	F mm
40.303.12	Straight	16	40.142.08; 40.142.09 M8	120	23	31	84	22	64
40.303.15	Straight	20	40.142.10; 40.142.11 M10	150	29	38	102	28	80
40.303.20	Straight	22	40.142.12 M12	200	39	48	135	37	105



Straight roller fairlead made of stainless steel, Capri series

AISI 316 **REGISTERED DESIGN**

Code	Description	For line Ø mm	OPTIONAL studs	A mm	B mm	C mm	D mm	E mm	F mm
40.305.00	Roller version	22	40.142.14 M14	212	58	62	154	37	88



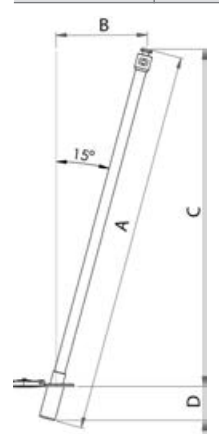
Mickey self-tensioning, modular and independent Bimini system

It can be used as sunshade or water protection and is UV-resistant. Simple to assemble, disassemble and store. It can be installed in many different ways. The 15°-inclination basis are small and can be easily in different places of the deck depending on the needs and provide a wider coverage than traditional systems.
 Much more convenient than the standard systems available on the market (canopy not included).

New Flexible pole for Mickey system

Fiberglass pole covered in **carbon fibre** with AISI316L stainless steel inserts.

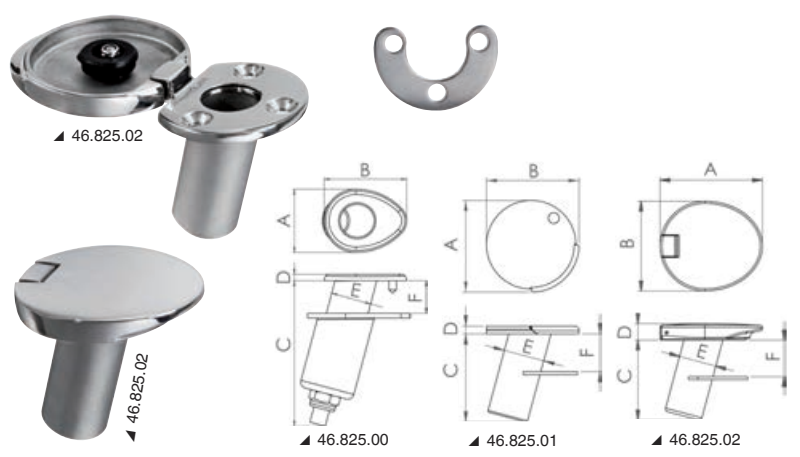
Code	Ø mm	Overall height A cm	Distance gained with slope B cm	Net height from flush deck C cm	Recess D cm
46.826.14	16	137	34	129	8
46.826.15	16	153.5	38	145	8
46.826.17	16	170	43	160	8
46.826.18	16	185	47	175	8



New Stainless steel fastening bushing for Mickey system

Recess-fit AISI316 stainless steel bushing with fastening counter-ring. Available in 3 models.

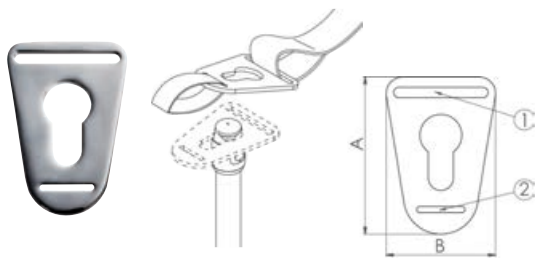
Code	Description	For poles Ø mm	mm					min/max deck thickness F mm
			Ø A	B	Ø C	Ø D	E	
46.825.00	No lid	16	52	40	54	4	26	8/40
46.825.01	Rotary lid	16	58	58	54	5	26	2/50
46.825.02	Watertight lid	16	69	62	54	10	26	2/50



New Fastening buckle for Mickey system

AISI316 stainless steel buckle for a simpler fastening of the Bimini top to the pole.

Code	mm		buckle slot mm	
	A	B	1	2
46.825.09	74	50	40x5	20x3



Bimini top with carbon tubes

Bimini top modular system. High finish with mirror-polished swivel-lock bushings.

Carbon pole for Bimini top

The pole rotates by 90° inside the bushing and locks.
 The poles are fitted with tightening bushings.
 Clamcleat for easy adjustment and tensioning of the Bimini top already mounted on the pole.
 Compatible with recess-fit bushings 46.815.xx and 46.820.xx.
 Fastening rope: eye spliced Dyneema rope.
 It can be used for direct installation on the Bimini top by means of a 10-mm Ø pawl or a snap hook.

Code	Ø mm	Height cm	Bulkhead stowage system OPTIONAL
46.816.02	38	130	34.358.38
46.816.04	38	150	34.358.38
46.816.06	38	170	34.358.38
46.816.07 New	38	185	34.358.38
46.816.08	38	200	34.358.38
46.816.10	38	230	34.358.38
46.821.02	50	170	34.358.50
46.821.04	50	200	34.358.50
46.821.06	50	230	34.358.50

46.817.00 MARLOW spliced line, length 130 cm with 50 cm adjustment



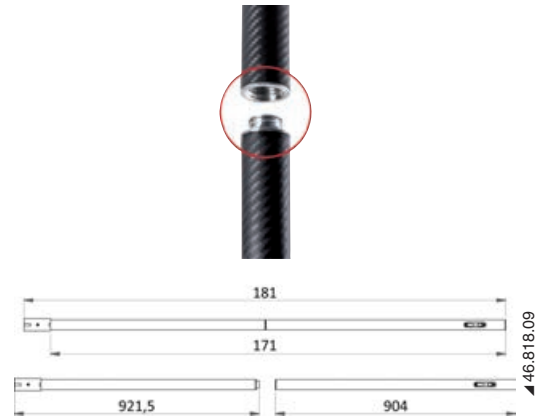
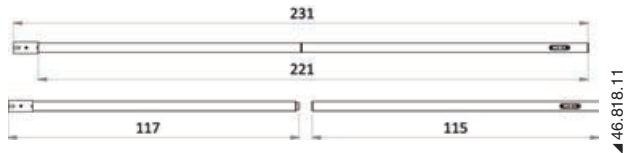
Removable carbon pole for Bimini top

2 PCS MOUNT POLE

The pole is made up of two sections and is fitted with anticorrosive aluminium bushings for fast mounting.
 Tightening bushings and a fastening line are also supplied. The pole rotates by 90° inside the bushing and locks.

Code	Ø mm	Height cm	No of sections
46.818.09	38	90/181	2
46.818.11	38	110/231	2

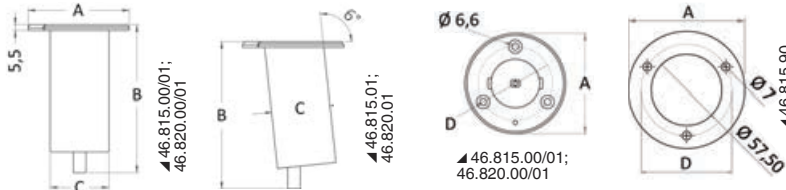
46.817.00 MARLOW 130-cm long spliced line for 50-cm usable adjustment
 34.358.38 Bulkhead stowage system



Recess-fit bushing for 38- and 50-mm Ø carbon pole

Made of stainless steel, fitted with 180° swivel lock. Arranged for 12-mm Ø water drain hose.
 Lock protection for the cup when not in use. The lock can be customized with a logo upon request.

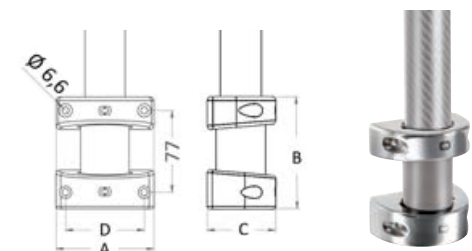
Code	Pole-Ø mm	Description	←→ mm			
			Ø A	B	Ø C	Ø D
46.815.00	38	Recess-fit bushing, straight	95	141.5	56	74
46.815.01	38	Recess-fit bushing, inclined at 6°	95	141.5	56	74
46.815.90	38	Mounting counterflange for recess-fit bushing	95	-	-	74
46.820.00	50	Recess-fit bushing, straight	108	150	70	90
46.820.01	50	Recess-fit bushing, inclined at 6°	108	150	70	90



Bushing for wall mounting for 38-mm Ø carbon pole

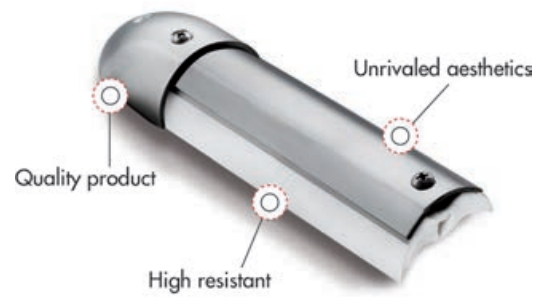
Upper and lower wall-mounting support for the bimini pole. The pole rotates by 90° inside that support and locks in position. High quality finish system with mirror-polished surface and front logo.
 Wall mounting by means of two conical screws (M6x40 or longer).
 Blind lower support, through upper support.

Code	Pole-Ø mm	Description	←→ mm			
			A	B	C	D
46.815.10	38	Bush kit for wall mounting	92	106	65	74



New Fender profiles

AISI316 Made-in-Italy AISI316 stainless steel C-shaped fender profiles. 3-m standard length, tapered and mirror-polished.

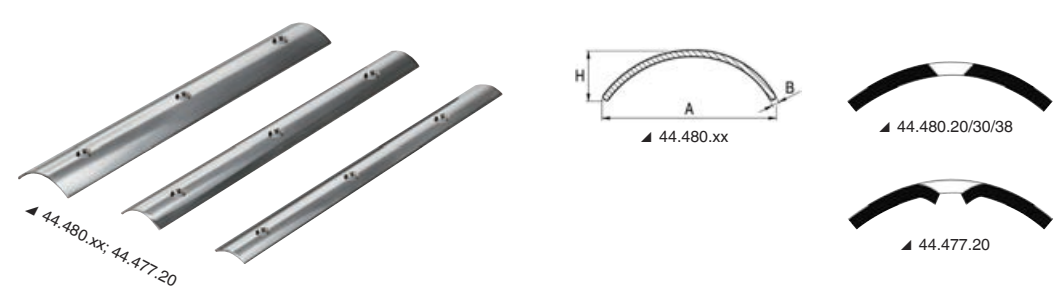
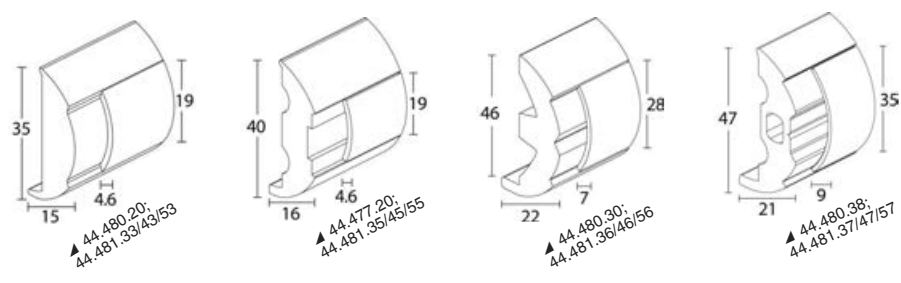
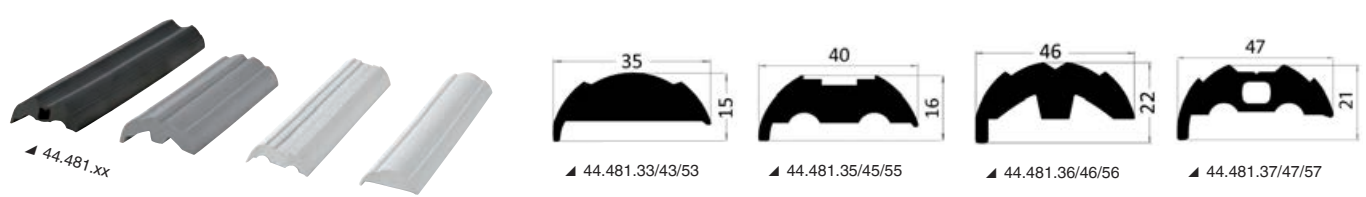


Each bar is pickled and passivated for optimum resistance in salty environment. They can be used with dedicated UV-resistant PVC base plates available in white, black and grey, and with dedicated mirror-polished AISI316 stainless steel terminals.

Code	Description	Bore type	←→ mm			Rods m	Bore centre distance	White PVC base	Grey PVC base	Black PVC base	SS terminal
			A	B	H						
44.480.20	Profilo 20	flared	19	1.5	4.6	3	198	44.481.33	44.481.43	44.481.53	44.484.33
44.477.20	Profilo 20	deep-drawn	19	1.5	4.6	3	186	44.481.35	44.481.45	44.481.55	44.484.35
44.480.30	Profilo 28	flared	28	1.5	7	3	198	44.481.36	44.481.46	44.481.56	44.484.36
44.480.38	Profilo 35	flared	35	1.5	9	3	198	44.481.37	44.481.47	44.481.57	44.484.37

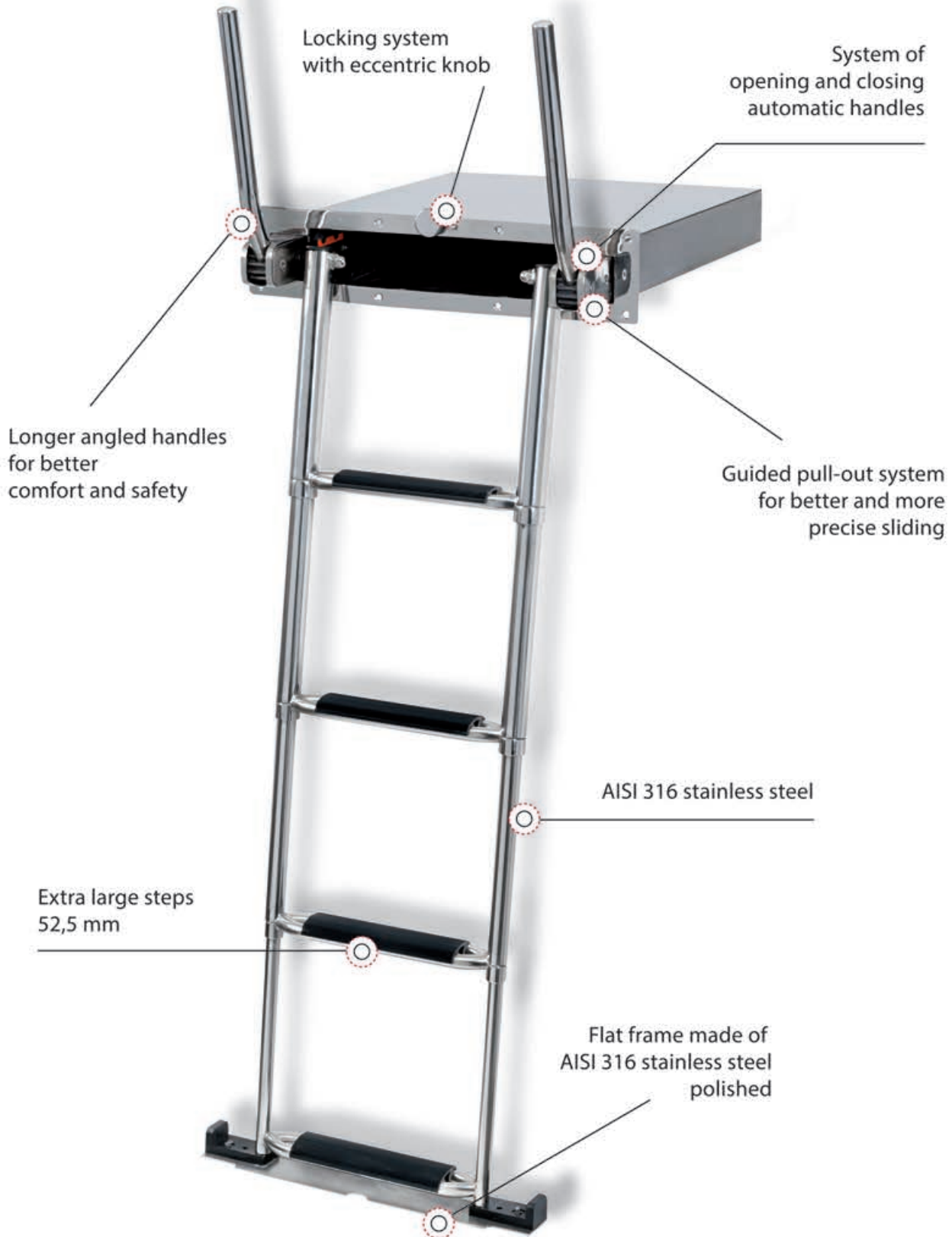
Base in 24-m-roll

Fender Profiles



EasyUp telescopic ladder

built-in with railings



EasyUp Telescopic ladder with handles for installation above the bathing platform

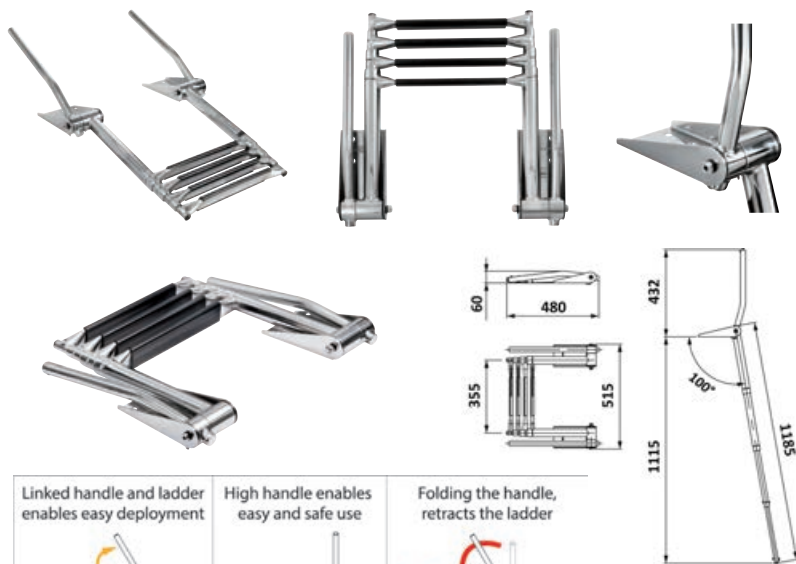
AISI 316

PATENT PENDING

AUTOMATIC HANDLE

The holding handle rises and lowers when the ladder is deployed.
 Extra-large step (52.5 mm).
 Mirror-polished AISI316 stainless steel.

Code	Steps	Tube Ø mm	Length mm		Max width mm	Height closed mm
			open	closed		
49.575.04	4	19/25/32/38	1185	480	515	60



Linked handle and ladder enables easy deployment



High handle enables easy and safe use



Folding the handle, retracts the ladder



New

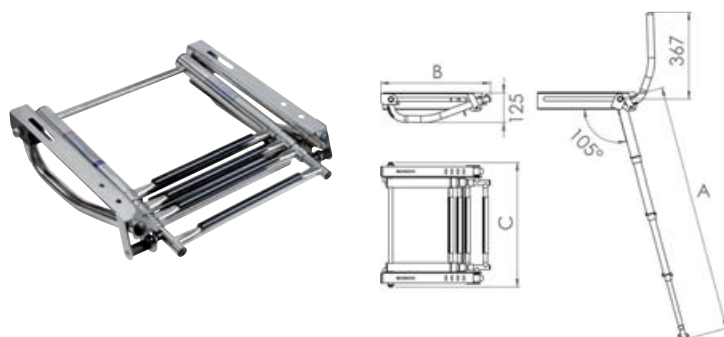
Easy Up under-platform ladder with handles

AISI316

AUTOMATIC HANDLES

Under-platform 4-step telescopic ladder made of AISI316 stainless steel.
 Fitted with overhanging rungs that make it easy to pull out the ladder and built-in climb-back handles that open and close automatically when pulling out or closing the ladder.
 43-mm black plastic rungs for better comfort.

Code	Model	Steps		Length mm		Width C mm	Tube Ø mm
		No.	Colour	open A	folded B		
49.577.04	Normal	4	Black	1040	480	440	19/25/32/38
49.578.04	Big	4	Black	1040	480	520	19/25/32/38

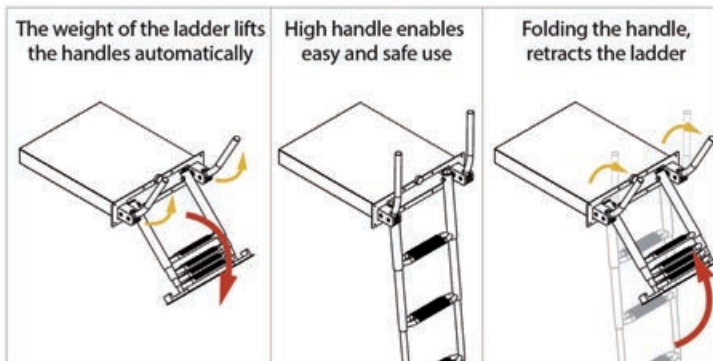


EasyUp built-in telescopic ladder with railings

REGISTERED DESIGN / DISEGNO DEPOSITATO **AUTOMATIC HANDLE**

Recess-fit AISI316 stainless steel telescopic ladder, 4 steps.
 Fitted with built-in railings that automatically raise and lower when you rotate the ladder.
 The railing closing system makes it easier to retrieve the ladder from the gangplank.
 The ladder has a guided pull-out system for better and more precise sliding.

Code	Steps	Tube Ø mm	Lenght mm		Max width mm	Height when closed mm
			open	closed		
49.569.04	4	19/25/32/38	1481	556	518	113.2

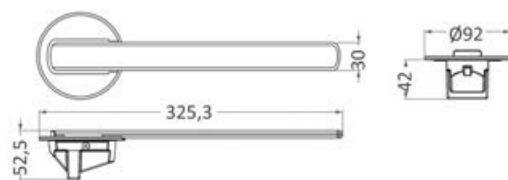


Ray flush-mount climbing aid handle

AISI 316 **FLUSH LOOK**

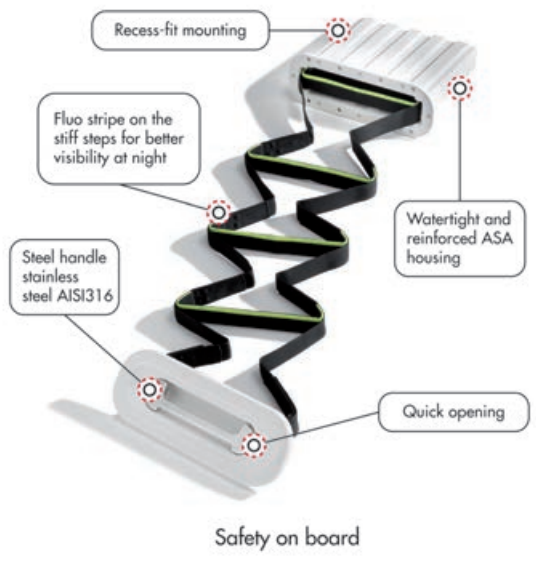
To be installed near the ladder to facilitate climbing on board.
 Made of AISI316 mirror-polished stainless steel. Lock in vertical position and flat when closed.
 Anti-vibration lock when open or closed.
 Fitted with studs and counterplate for installation.

Code	Base Ø mm	Handel mm	Mounting hole-Ø mm	Studs mm
49.565.00	92	310x30	75	5x70



Recess-fit emergency ladder suitable

49.525.00 - To comply with ISO 15085 standards

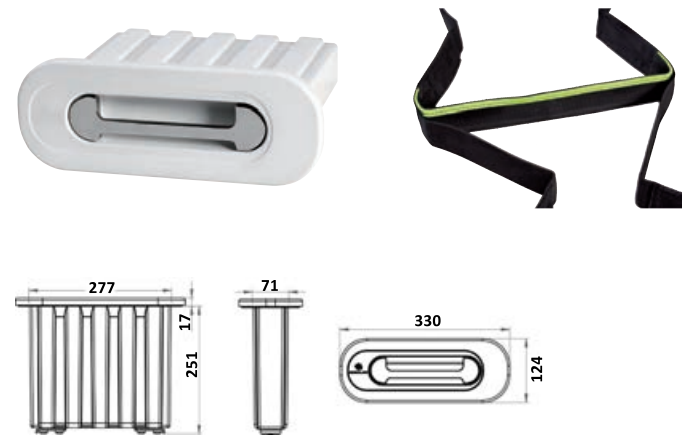


Recess fit emergency ladder suitable to comply with ISO 15085 and ABYC H-41 standards

Ladder to be used to climb back onboard in case of emergency.

- Watertight and reinforced ASA housing.
- Pull-out cover to open the ladder.
- Polyester tape ladder with stiff steps.
- FLUO stripe on the steps for better visibility at night.

Code	←→ ladder mm		Colour	Steps
	length when open	step width		
49.525.00	2400	250	<input type="checkbox"/> White	7

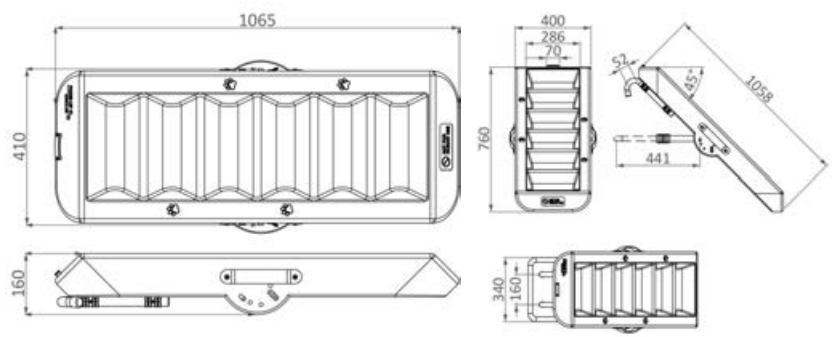


Paws Up doggy ramp

Lightweight, antiskid, easy to install on and remove from already mounted ladders (min. 3 steps, 38- to 57-mm wide) in a matter of seconds. Telescopic tubes adjustable in 3 positions for perfect inclination. Fitted with safety strap with hook&loop fastener.

Code	←→ mm			Quick coupling kit OPTIONAL*
	size closed	length	width	
49.538.20	410x1065x160	760	340	49.560.00

* For installation separate from the ladder.

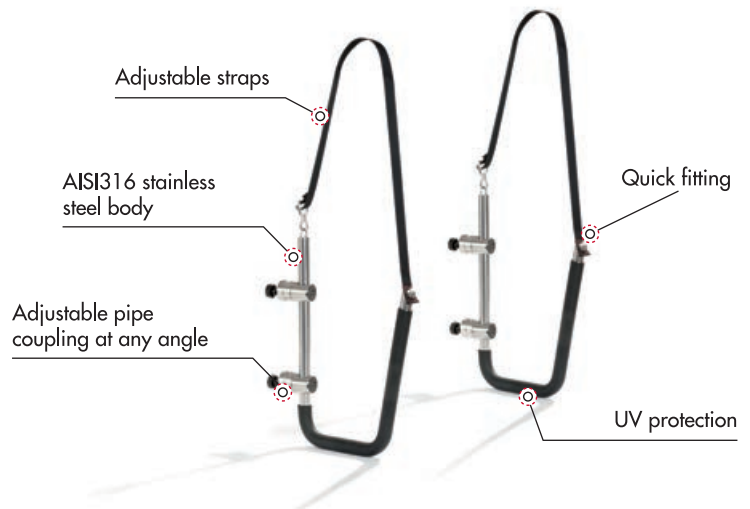


▲ 49.560.00 OPTIONAL KIT



SUP board kit

NEW UNIVERSAL KIT
TO FIX THE TABLE
OR GANGPLANK
OUT OF BOARD



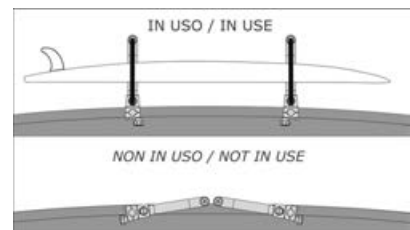
SUP board or gangplank holder kit made of stainless steel

This kit fastens the SUP board or the gangplank out of board. To be mounted to the railing by means of 360° adjustable clamps.

The quick release knob allows for each arm to be rotated immediately when not in use or to adjust to a smaller angle in case of narrower SUP boards or gangplanks. Each arm is fitted with an HD foam PVC chafe guard as well as adjustable and removable straps.

Standard version: for 22- to 30-mm diameter tubes with plastic accessories.
Deluxe version: for 20- to 28-mm diameter tubes with AISI316 stainless steel accessories.

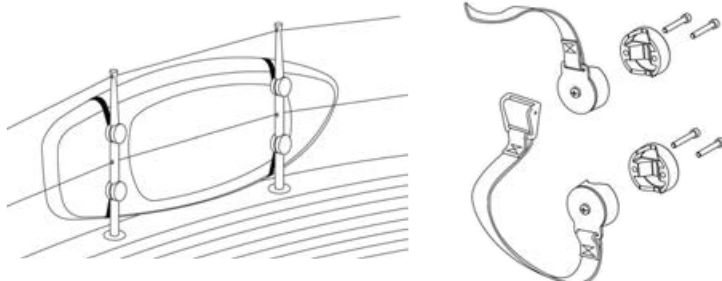
Code	Version	dimensions mm	For tube Ø mm
42.365.00	Delux	230 x 115	20/28
42.365.10	Standard	230 x 115	22/30



Strap kit for SUP boards or gangplanks

Compact yet extremely versatile product. It is used to fasten the SUP board or the gangplank to the boat stanchions. The system is fastened to the stanchion tubes by means of four clamps for a diameter ranging from 20 to 28 mm; two 2-m long nylon straps tightly tie the onboard accessories.

Code	straps mm	For tube Ø mm
42.366.00	2000x30	20/28



FLUSH inspection hatch CE

The faired cover hides the frame completely. 100% flush hinges. **180° opening**. Walking surface. UV BASF resistant.

It can be installed on any sports craft, boat design category A, B, C, and D, area II a, III, IV, watertightness degree 2.



▲ 20.291.00

▲ 20.291.00

White	Cream RAL 9001	Black	Grey RAL 7042	Outside mm	Inside mm	Cut mm	OPTIONAL lock kit
20.291.00	20.291.40	20.291.50	20.291.60	380x280	295x198	310x210	20.093.00
20.292.00	20.292.40	20.292.50	20.292.60	600x350	513x265	530x280	20.093.00
20.293.00	20.293.40	20.293.50	20.293.60	375x375	285x285	300x300	20.093.00
20.294.00	20.294.40	20.294.50	20.294.60	520x465	430x375	445x390	20.093.00
20.295.00	-	20.295.50	20.295.60	600x250	515x165	530x180	20.093.00



▲ 20.292.00



▲ 20.294.00



▲ 20.293.00



▲ 20.291.40



▲ 20.291.60



▲ 20.291.50



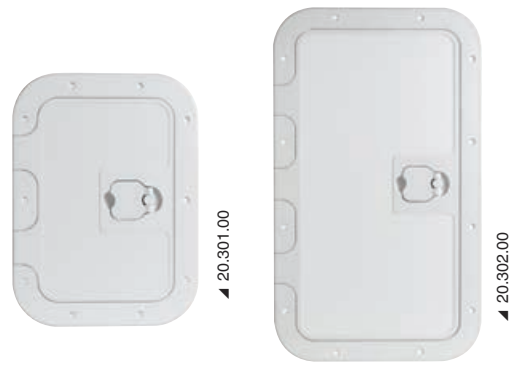
▲ 20.295.00

CE APPROVED
based on
UNI EN ISO 12216:2004

Inspection hatch with very sturdy anti-slip walking surface, UNI EN ISO 12216:2004

Splash-proof cover locking with neoprene gasket.

Flush-mount. It may be used as hatch for lockers, fishing tanks, storeroom hatch and bulkhead hatch. **160° opening**. It can be installed on any sports craft, boat design category A, B, C, and D, area II a, III, IV, watertightness degree 2.



▲ 20.301.00

▲ 20.302.00

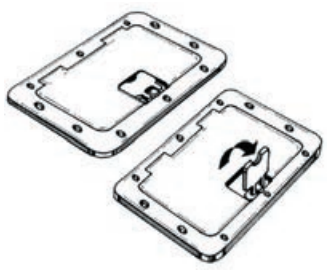
White	Grey	Outside mm	Inside mm	OPTIONAL lock kit for ready installation
20.301.00	20.301.60	280x380	180x280	20.093.00
20.302.00	20.302.60	345x595	250x500	20.093.00



▲ 20.301.00



▲ 20.093.00 OPTIONAL lock kit for ready installation



CE APPROVED
based on
UNI EN ISO 12216:2004

FLUSH inspection hatch CE

100% flush hinges. 180° opening.



Inspection hatch with removable front lid

Very sturdy anti-skid surface; **splash-proof** lid closure with neoprene seal; flush mounting; they can be used as hatches for lockers, fishing containers or as boxroom hatches or bayonet front bulkheads; removable front for easy access. Ideal for installation on dashboard with nearby steering bench.

White	Cream RAL 9001	Grey	Black	Outside mm	Inside mm	OPTIONAL lock kit for ready installation
20.302.20	20.302.21	-	20.302.23	305 x 355	225 x 275	-
20.302.30	20.302.31	20.302.32	20.302.33	375 x 375	295 x 295	-
20.302.40	-	-	-	350 x 600	250 x 500	20.093.00



Inspection hatch with cover, CE approved

Antiskid **watertight** surface, recess hole with swivelling hollow flat. It can be installed on any sports craft, boat design category A, B, C, and D, area II a, III, IV, watertightness degree 2.

White	Cream RAL 9001	Black	Grey	Max external Ø mm	Passage mm	Recess Ø mm	Hole centre distance mm
20.840.00	20.840.40	20.840.50	20.840.60	265	190	215	242
20.844.00	-	20.844.50	-	315	240	270	290



CE APPROVED
based on
UNI EN ISO 12216:2004



Deck fillers and Exhaust

Deck fillers CLEVER



Deck Fillers and Exhaust



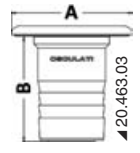
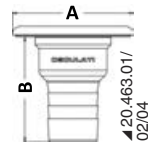
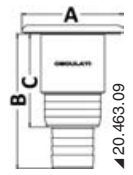
Clever deck fillers made of composite and stainless steel

Body made of technopolymer and co-moulded mirror-polish stainless steel cover.

- Flush design.
- 1/4-turn quick opening (except Waste version).
- The lanyard can be replaced in case it breaks.
- Coloured inner star-shape element for unobtrusive yet effective detectability.
- Waste version: 38/50 double diameter complying with the ISO 8099 standards.



Code	Type	Neck Ø mm	Flange Ø mm	Projection mm	A mm	B mm	C mm
20.463.01	FUEL	50	88	8.5	92	80	-
20.463.02	WATER	38	88	8.5	92	80	-
20.463.03	DIESEL	50	88	8.5	92	80	-
20.463.04	FUEL	38	88	8.5	92	80	-
20.463.09	WASTE	38+50	88	8.5	92	123	85



Quick Lock deck fillers

AISI 316

REGISTERED DESIGN

Technical characteristics:
45° rotation snap lock, 7.7-mm projection, hidden screws, stainless steel check cable with spring, fuel and diesel versions with earthing cable, made of mirror-polished AISI 316 stainless steel, DIN standard symbols.

Code	Type	Version	Neck Ø mm	Outside Ø mm	Neck thickness mm	With key
20.366.01	FUEL	Straight	50	94	81.9	20.366.21
20.366.02	WATER	Straight	38	94	82.5	20.366.22
20.366.03	DIESEL	Straight	50	94	81.9	20.366.23
20.366.04	FUEL	Straight	38	94	82.5	20.366.24
20.366.05	WASTE	Straight	38	94	82.5	-
20.366.09*	WASTE	Straight	38	94	82.5	-
20.366.11	FUEL	30°	50	94	96	20.366.31
20.366.12	WATER	30°	38	94	92	20.366.32
20.366.13	DIESEL	30°	50	94	96	20.366.33
20.366.14	FUEL	30°	38	94	92	20.366.34
20.366.15	WASTE	30°	38	94	92	-

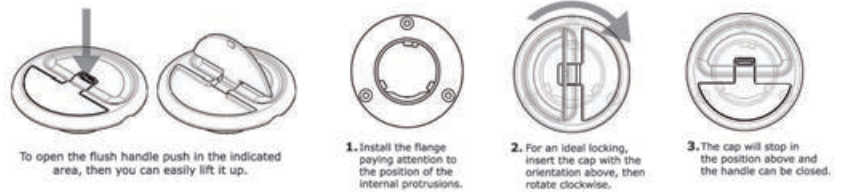


* In compliance with ISO 8099, long neck, screw thread (no chain)

20.366.98 Spare key.



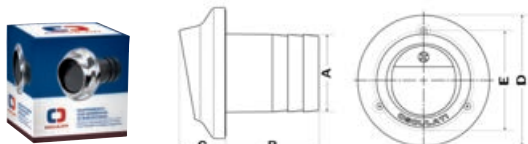
Quick Lock - Deck Filler - User Manual



Technopolymer and stainless steel exhaust pipe scuppers with check valve

Made of reinforced technopolymer with polished AISI304 stainless steel finish ring. Hidden screws. Easy mounting. Stainless steel full design.

Code	For hose Ø mm	mm				
		A	B	C	D	E
51.386.01	40	41	60	30	85	65
51.386.02	45	46	60	30	85	65
51.386.03	50	51	60	30	85	65
51.386.04	60	61	90	35	110	89.5
51.386.06	75	76	90	35	110	89.5
51.386.07	90	91	90	45	138	116
51.386.08	100	101	90	45	138	116
51.386.09	110	111	110	50	165	141
51.386.10	125	126	110	50	165	141

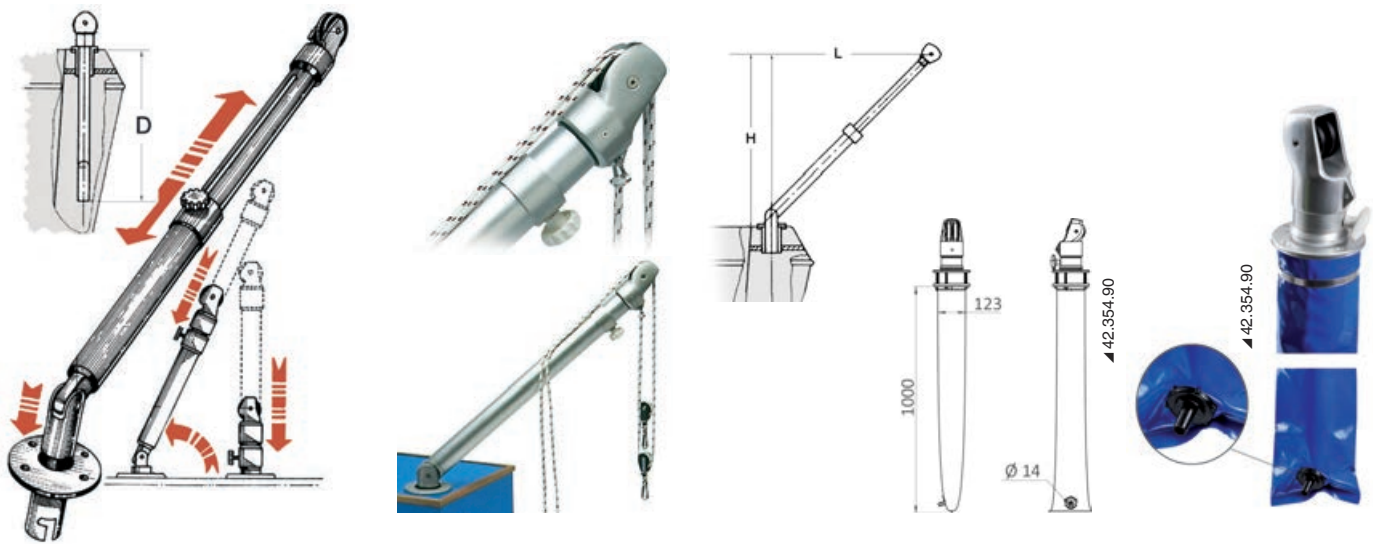


Telescopic davit

Made of **anodized aluminium**, universal size. Fitted with double sheave and becket for both gangway and dinghy.
Two operating positions: in line with the boat (dinghy holding) or inclined at 20° on the inner part (gangway holding).
The telescopic part B) can be adjusted in various positions, providing a perfect length adjustment for different types of dinghies.

OPTION 42.354.90: PVC drain bag with hose connector to be used in case of water seepage. Easy to install on the davit base by means of a metal clamp.

Code	Load capacity kg	Mounting base Ø mm	Recess hole Ø mm	Telescopic tube (A/B) Ø mm	↔ mm			Tube Ø mm	ORDER BY BOX	Drain bag OPTIONAL
					Height (H)	Reach (L)	Inside (D)			
42.354.00	180 per pair	160	112	73/80	1.020	1.100	912 in rest position	73 + 80	2	42.354.90



Small telescopic retractable davit

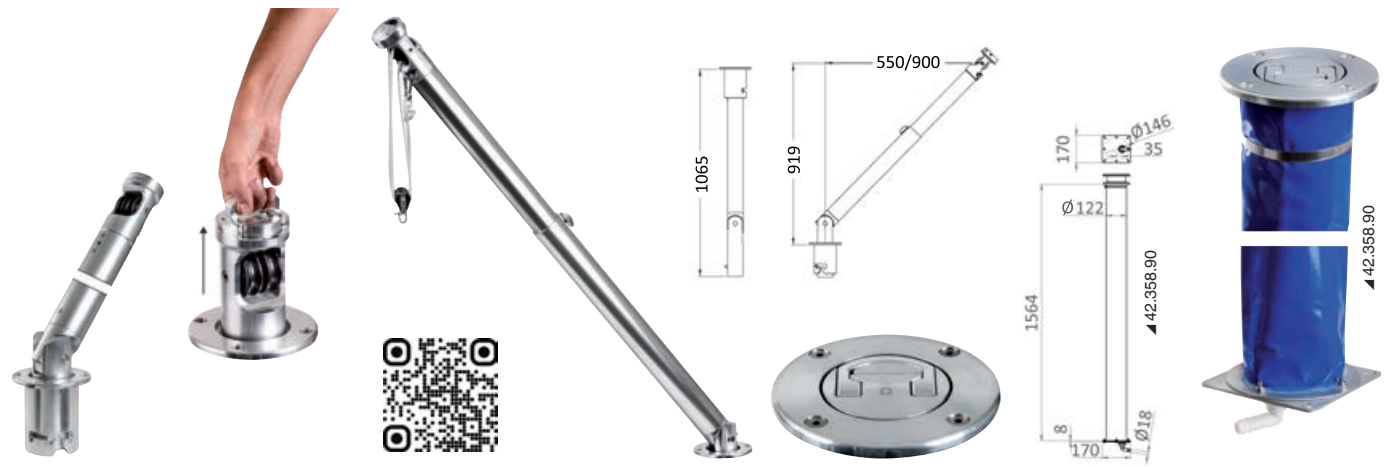
FLUSH

Dual universal retractable davit kit made of anodized aluminium.
When in retracted position, it is hidden under the walking surface and leave the deck clear.
Fitted with double sheave and becket for both gangway and dinghy.
Two operating positions: in line with the boat (dinghy holding) or inclined at 20° on the inner part (gangway holding). The telescopic tube has a handle that can be rested on its head and adjusts the pole at different lengths depending on the needs and on the dinghy type.

OPTION 42.358.90: PVC drain bag with hose connector to be used in case of water seepage. Easy to install on the davit base by means of a metal clamp. Anodized aluminium rest base and anti-shock seal + drainage system.

Code	Capacity kg	Fastening base Ø mm	Recess bore Ø mm	Telescopic tubes Ø (inside/outside) mm	↔ mm			ORDER BY BOX	Drain bag OPTIONAL
					height (H)	Reach (L)	inside (D)		
42.358.00	180 per pair	160	112	73/80	990	550/900	1115	2	42.358.90

49.560.00 OPTIONAL system for installation on the gangplank



Sail in a sea of accessories



Extensive documentation

14,000 downloadable files (interactive 3D models, instructions, certificates and technical specifications)



Excel-compatible

Copy/paste your orders from Excel and export your cart in a click



Replacement Items

Is an item discontinued? We suggest the optimal alternative for your needs



Best price

We always suggest the recommended quantity at the lowest price



Price lists

Check your reserved price list in real time



Your history

Check your order history at all times, online and offline



Online support

Contact our WhatsApp / Telegram support service for advice and solutions

** Only for professional customers*

 **NEW OUTLET SECTION!**

Discover thousands of items at prices discounted up to 40%*

The preferential channel for your orders

Details that make a difference



Osculati S.r.l.

Via Pacinotti 12 - 20054 Segrate (MI) - Italy
Tel.: +39 02.2699.111 - info@osculati.it

www.OSCULATI.com



IT AEO-F 23 2010

Code 70.199.80

